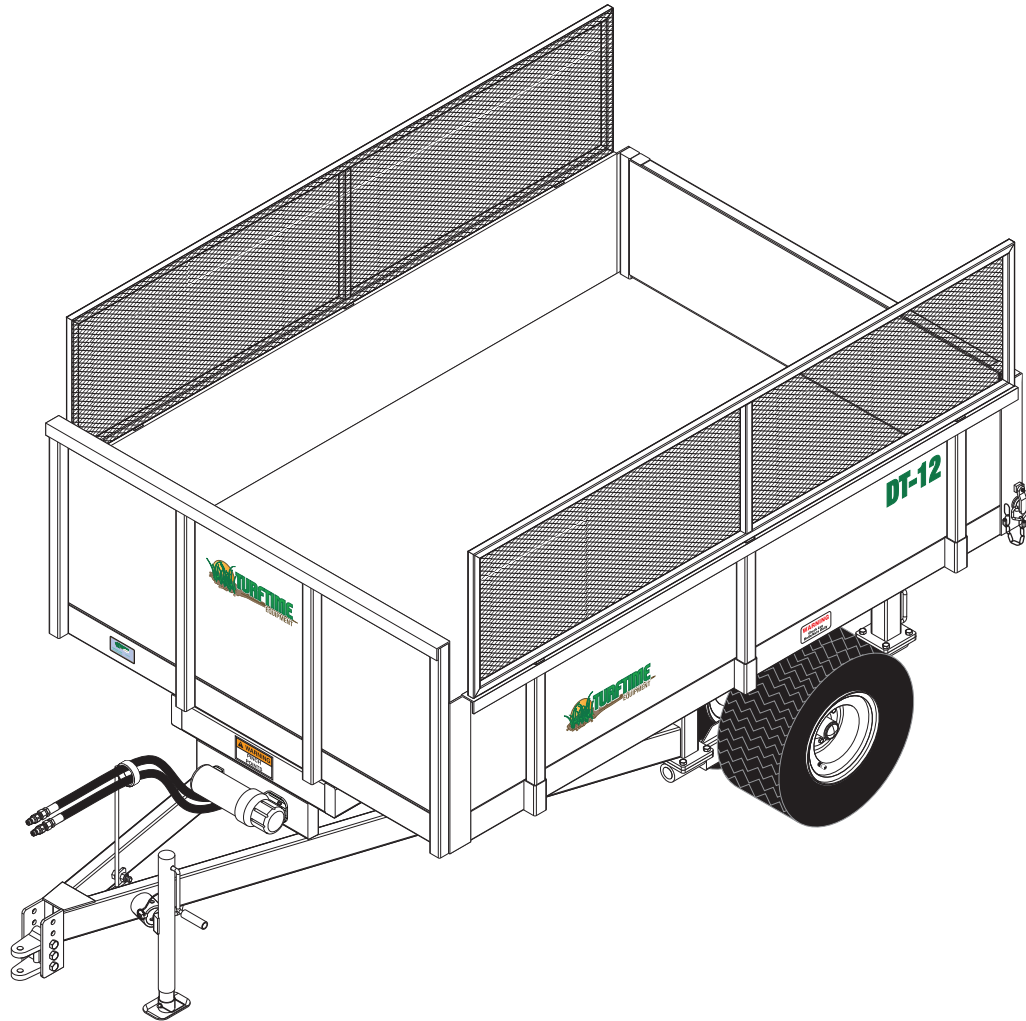




156 Kurtz Road
New Holland PA 17557
Phone (800) 201-1031
<http://www.turftimeeq.com/>



Dump Trailer

Owner's Manual

MODEL DT-12

DISCLAIMER

The information in this manual is provided to promote the safe use of and assist the operator in achieving the best performance from the products described when used for their intended applications.

TurfTime Equipment, LLC reserves the right to alter, correct, and/or improve the documentation and the products described within the documentation at its own discretion and without giving prior notice as far as this is reasonable to the owner of the products.

You are responsible to verify the suitability and intended use of any TurfTime Equipment, LLC products for your specific application. All information made available in the documentation is supplied without any accompanying guarantee.

This manual, including all illustrations contained herein, is copyright protected. Any changes to the contents or the publication of extracts of this document is prohibited. This manual is furnished to you by TurfTime Equipment LLC as a guide to get the greatest benefit from your product.

Before attempting to install or operate, carefully read all sections of this manual. Be sure that you thoroughly understand all of the safety information and operating procedures.

SAFETY PRECAUTION DEFINITIONS

Dangers, Warnings, Cautions, and Notes are strategically placed throughout this manual to further emphasize the importance of personal safety, qualifications of operating personnel, and proper use of the equipment in its intended application. These precautions supplement and/or complement the safety information decals installed on the equipment and include headings that are defined as follows:

DANGER

Indicates an imminently hazardous situation which, if not avoided, will result in death or serious injury.

WARNING

Indicates a potentially hazardous situation or practice which, if not avoided, could result in death or serious injury.

CAUTION

Indicates a potentially hazardous situation or practice which, if not avoided, will result in damage to equipment and/or minor injury.

NOTICE

Indicates an operating procedure, practice etc., or portion thereof, which is essential to high-light.

Always use caution and safe operating practices when operating this equipment.

Install all safety panels and guards before operating your equipment.

Stay clear of all moving parts when the machine is in operation.

Keep all people clear of the machine when it is running.

Read and comply with all safety recommendations of your tractor/skid steer manufacturer, as outlined in its operator and service manuals.

NOTE: Some equipment depicted in illustrations may not reflect exact production model configurations.

LIMITED WARRANTY STATEMENT

3-year Limited Warranty

TurfTime Equipment, LLC, (TTE) hereby warrants that TTE's products will be free from defects in material and workmanship under normal use according to the provisions and limitations herein set forth. All parts, specifically EXCLUDING expendable 'wear' parts, that become unserviceable, due to defective material or workmanship, within 3 YEARS of date of the original retail purchase, shall, at TTE's option, be repaired or replaced as detailed below.

If the equipment is used for rental purposes, warranty is limited to 90 days from the initial rental date.

Limitations

The obligations of TTE for breach of warranty shall be limited to products manufactured by TTE; (1) that are installed, operated, and maintained according to TTE's instruction furnished and/or available to the purchaser upon request; (2) that are installed according to all other applicable federal, state, and local codes or regulations; and (3) that the purchaser substantiates were defective in material and workmanship notwithstanding that they were properly installed and correctly maintained as set forth and were not abused or misused. The obligation of TTE shall be limited to replacing or repairing the defective product, at the option of TTE. TTE shall not be responsible for any labor or cost of removal or repairing or re-installation of its products and shall not be liable for transportation costs to and from its facility in New Holland, PA. Use of parts for modification or repair of the product or any component part thereof not authorized or manufactured by TTE specifically for such product shall void this warranty.

This warranty shall not apply to any damage to or defect in TTE's products that is directly or indirectly caused by; (1) FORCE MAJEURE, act of GOD, or other accident not related to an inherent product defect; or (2) abuse, misuse, or neglect of the such product, including any damage caused by improper assembly, installation, adjustment, or faulty instruction of the purchaser. Other than as expressly set forth herein above, TTE makes no other warranty, express or implied, with respect to any of TTE's products, included but not limited to any merchantability or fitness for a particular

purpose. In no event shall TTE be responsible for any incidental or consequential damages of any nature suffered by purchaser or any other person or entity caused in whole or in part by any of TTE's products.

Any person or entity to whom this warranty extends and who claims breach of warranty against TTE must bring suit thereon within 60 days from the date of occurrence of such breach of warranty or be forever barred from any and all legal or other remedies for such breach of warranty. TTE is not responsible for and hereby disclaims any undertaking, representation, or warranty made by any dealer, distributor, or other person that is inconsistent with or in any way more expensive than the provisions of this limited warranty. This warranty grants specific legal rights and shall be read in conformity with applicable state law. In some jurisdictions, the applicable law mandates warranty provisions that provide greater rights than those provided for herein. In such case, this limited warranty shall be read to include such mandates provisions; and any provision herein that is prohibited or unenforceable in any such jurisdiction shall, as to such jurisdiction, be ineffective to the extent of such prohibition or unenforceable without invalidating the remaining provisions and without affecting the validity or enforceability of such provisions in any other jurisdiction.

Statement of Policy

In accordance with our established policy of constant improvement, we reserve the right to amend these specifications at any time without notice.

Warranty by Manufacturer

Dealer/distributor understands and agrees that the manufacturer extends only the following warranty to its customers. In the event dealer/distributor extends any additional warranty such as enlarging the scope or period of warranty or undertaking a warranty of fitness for any particular purpose or obligation not encompassed in manufacturer's warranty, dealer/distributor shall be solely responsible therefore and shall have no recourse against manufacturer with respect thereto.

CONTENTS

DISCLAIMER.....	I
SAFETY PRECAUTION DEFINITIONS.....	I
LIMITED WARRANTY STATEMENT.....	II
3-YEAR LIMITED WARRANTY.....	II
LIMITATIONS.....	II
STATEMENT OF POLICY.....	II
WARRANTY BY MANUFACTURER.....	II
SAFETY.....	1
ASSEMBLY.....	1
INSPECTION.....	1
WARRANTY.....	1
SETUP AND OPERATION.....	1
BEFORE USE.....	2
DRAWBAR CONNECTION.....	2
ELECTRIC CONTROLS (OPTIONAL).....	2
BED EXTENSION.....	2
OPERATING CONSIDERATIONS.....	2
LOAD CAPACITY.....	2
HYDRAULIC REQUIREMENTS.....	3
OPERATION.....	3
LOADING.....	3
MAINTENANCE.....	4
LUBRICATION.....	4
RECOMMENDED PROCEDURE.....	4
GENERAL.....	4
WHEELS AND TIRES.....	4
HYDRAULIC SYSTEM.....	4
WHEEL BEARINGS.....	4
INSTALLING THE PROP.....	5
SPECIFICATIONS.....	6
HOW TO ORDER REPAIR PARTS.....	7
ILLUSTRATED PARTS BREAKDOWN.....	7
MAINTENANCE RECORDS.....	16

FIGURES

Figure 1-1.	Wheel Hub Lubrication	4
Figure 1-2.	Wheel Hub	4
Figure 3-1.	Frame, Wheels, Drawbar, Jack and Related Parts.....	8
Figure 3-2.	Bed Frame, Sides, Extensions and Related Parts.....	10
Figure 3-3.	Hydraulics and Related Parts.....	12
Figure 3-4.	Decals.....	14

SETUP AND OPERATION

SAFETY

While operating this equipment use common sense and follow all safety guidelines.

In addition to observing the specific precautions listed throughout this manual, the following general statements apply. These must be adhered to in order to insure proper and safe operation.

DANGER

DO NOT get off the tractor while the tractor PTO is engaged. Insure that the PTO shield and safety chains are properly installed.

Keep hands and feet from under the equipment at all times. Make sure that all people are safely clear of the equipment before operating.

In order to prevent serious injury and to promote safe operation, keep shields in place during operation, and insure that all mounting hardware is properly tightened.

WARNING

DO NOT attempt to operate the equipment in areas with steep inclines, ditches, large rocks, stumps, or holes that may upset the tractor, endangering the operator or damaging the equipment.

Never clean, adjust or repair the equipment while it or the tractor are running. Never attempt to pull material from any part of the equipment while it is running.

Never wear loose clothing while operating the equipment as it may become caught in the moving parts of the machine.

For safe operation of the equipment, periodically inspect all parts for excessive wear. Replace worn components with authorized parts.

To prevent the hitch from becoming disconnected during operation, always use the proper size hitch pin and safety cotter pin.

Be sure to use proper safety chains when towing equipment on a public roadway.

Always place a support under the raised dump bed before working under the bed.

CAUTION

Most equipment accidents can be avoided by the observance of a few simple safety precautions.

Do not clean, lubricate or make any adjustments on the equipment while it is in motion.

Do not start the machine until you know everyone is clear of the area and all tools have been stowed away.

Do not work around the unit in loose clothing that might catch on any of the moving parts.

Do not attempt to pull material from any part of the equipment while it is in operation.

Replace all shields after lubrication or repairs.

Do not allow anyone to ride on the equipment.

Park on level ground or block wheels to prevent the machine from rolling.

Always follow manufacturer's instructions for maintenance, repair and adjustments.

Read and pay close attention to hydraulic line safety.

WARNING

Never attempt to stop a leak by covering it with your hand as doing so can cause severe injury.

TurfTime Equipment LLC assumes no liability for injuries sustained because of failure to read this manual or due to carelessness. Always refer to this manual for guidance, or contact your local dealer.

ASSEMBLY

Inspection

While the Dump Trailer is shipped fully assembled, it is recommended that an inspection be made upon receipt and any damage or shortages be reported to the shipping company.

Warranty

Locate the warranty card in the literature packet and complete it. For proper warranty registration Turf Time requires that you fill out the warranty registration card and return it within 30 days.

SETUP AND OPERATION

Before use

Before initial use, check the following:

Check for proper assembly and adjustment making sure all bolts are securely tightened. Re-tighten the bolts after 4 hours of operation.

Torque the wheel bolts to 120 lb-ft. Recheck the bolts after every other load until the torque does not decrease and every 300 loads thereafter.

Check the tires and inflate them to the recommended pressure shown on the side wall of each tire.

Adjust the tractor hitch and attach the Dump Trailer to the tractor as detailed in this manual.

Connect the hydraulic hoses to the tractor hydraulic ports, if required.

Lubricate the machine completely and check the oil level in the hydraulic reservoir, if applicable.

Install a slow moving vehicle (SMV) emblem (available from your dealer) on the rear of the unit, if the Dump Trailer is to be transported on public roadways.

Do not operate the Dump Trailer until after "Safety" on page 1 in this manual has been read and understood by the operator.

Review "Figure 3-4. Decals" on page 14", and ensure that all the decals are legible on the Dump Trailer. Read and understand each decal and understand what the dangers involved.

If equipped with an engine drive, ensure the engine oil and coolant have been checked and are within the specified fill level range.

Drawbar connection

WARNING

Only connect the Dump Trailer to the tow vehicle drawbar. Never connect it to the 3-point hitch in any way.

Use only a 7/8" hitch pin of sufficient length to engage the upper and lower clevis of the drawbar.

Always use a clip to secure the hitch pin in the drawbar.

Electric controls (optional)

An optional electric control is available to engage the apron belt from the operator station. A remote switch with connection to a 12-volt battery must be established on the tow vehicle.

Bed extension

For increased capacity, bed extensions are available to go on top of the bed.

OPERATING CONSIDERATIONS

NOTICE

Not following these instructions may void the warranty.

Load capacity

WARNING

Weight limitations apply!

Ensure the tow vehicle is capable of handling the gross vehicle weight (GVW) of the Dump Trailer and its load. The GVW of the Dump Trailer must not exceed 1.5 times the weight of the tow vehicle.

The weight rating of the tires must not be exceeded. Refer to the tire sidewall for the maximum weight capacity.

The tire load capacity is printed on the sidewall of the tire. Multiply this capacity time the number of tires to determine the gross vehicle weight rating (GVWR) of the Dump Trailer.

The volume capacity of the Dump Trailer may allow overloading of the tires, tow vehicle, or both, when using high-density products, such as sand. Know the weight of the product you are loading.

For example, the empty (tare) weight of a TD-12 is 3200 lb. The capacity of each 33-18LL x 16.1 tire is 5520 lb. or 22800 lb. total. This will allow 19600 lb. of material to be loaded into the Dump Trailer. Some materials are very dense (sand is approximately 90 lb/ft³), the DT-12 may appear to be only approximately 3/4 full. Other materials (hydrated lime is approximately 25 lb/ft³) will allow installation of the optional side extensions without exceeding the GVWR.

Hydraulic requirements

Standard tractor hydraulics.

NOTICE

Refer to the tow vehicle documentation for details on setting and maintaining the hydraulic flow and pressure recommendations.

WARNING

Hydraulic oil under pressure can penetrate the skin causing serious personal injury. Before applying pressure to the system, ensure that all lines and couplers are tight and not damaged.

Before disconnecting lines, be sure to relieve pressure in the system.

Always clean the hydraulic quick couplers on the tow vehicle and Dump Trailer before connecting.

OPERATION

Loading

Always load the Dump Trailer on a flat, level surface while attached to the tow vehicle. Best results are obtained when the load is distributed evenly across the Dump Trailer.

NOTICE

The Dump Trailer should not be stored outdoors without a tarp covering the load. In the event of rain, the moisture absorbed by the loaded material may cause overload of the Dump Trailer as well as making it difficult to unload.

Never allow a load to freeze in the Dump Trailer as severe equipment damage may result.

power supply before servicing the machine.

WARNING

Always load material into the center of the dump body to balance the load.

Release tailgate before raising dump body.

Ensure the cart is level before raising the dump body. Failure to do so may cause the unit to tip when the dump body is raised.

Re-torque wheel nuts after 2 hours and 8 hours of initial use.

MAINTENANCE

LUBRICATION

The Dump Trailer requires a minimum amount of lubrication. However, the importance of sufficient and proper lubrication cannot be overstated as it is the best insurance against unnecessary repairs and will greatly increase the life of the machine.

Recommended procedure

Use a high-quality, extreme pressure (EP) 2 lithium grease on all bearings. Examples of acceptable grease are Exxon Mobil Ronex MP and Lubriplate 1200-2.

Ensure grease fittings are free of paint and dirt. Grease should be forced into the fittings until it comes out around the shaft.

NOTICE

Do not over-lubricate sealed bearings. Apply one-half stroke or pump from a grease gun once per year.

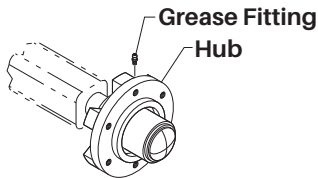


Figure 1-1. Wheel Hub Lubrication

GENERAL

CAUTION

Always replace shields after maintenance and before beginning operation.

Protect the machine from weather when it is not in use.

Check the bed at the end of each day for material build up or more often if spreading particularly wet or sticky material. Clean out any excess material when found.

At the end of each season, check the Dump Trailer carefully and replace all worn or damaged parts. Use only genuine TurfTime parts supplied by your authorized TurfTime dealer.

Never store material in the Dump Trailer during cold months.

Storing wet material in the Dump Trailer or keeping it outdoors with material in it will cause early corrosion.

Wheels and tires

Once each month:

Check the lug bolt torque on each wheel. Bolts should be torqued to 120 lb-ft.

Check tires for cuts and damage.

Ensure tires are properly inflated.

Hydraulic system

Once per month:

Inspect the hydraulic hoses for flexibility and any sign of rubbing or cracking. Replace any hose where a defect is found.

Ensure the tow vehicle hydraulics are well maintained with clean oil. Follow the prescribed maintenance plan of the tow vehicle.

Wheel bearings

Wheel hub bearings must be adjusted after 100 loads or one year, whichever comes first.

To adjust the wheel hub torque:

1. Park the Dump Trailer on a level place and chock the wheels to ensure that it will not roll or move.
2. Raise one side of the Dump Trailer using a jack or appropriate lifting device.

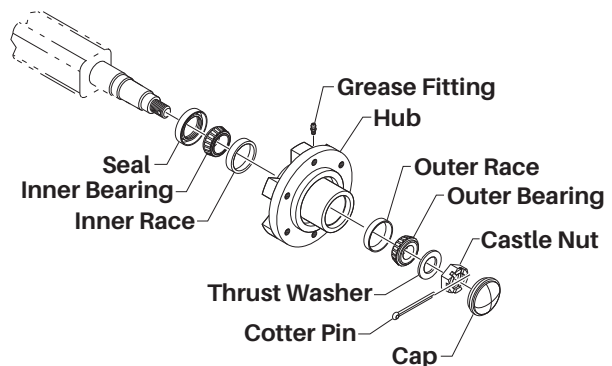


Figure 1-2. Wheel Hub

3. Remove the hub cap from the center of the hub.
4. Remove the cotter pin from the slotted nut and loosen the slotted nut (rotate it counterclockwise) a turn or two.
5. While rotating the hub, use a torque wrench to torque the slotted nut to 35 lb-ft.

MAINTENANCE

6. Rotate the slotted nut counterclockwise (back-off) just enough for a nut slot to align with the axle hole. Install the cotter pin through the slotted nut and axle. Do not back-off the slotted nut more than one-third turn.

Installing the Prop

1. Always install a prop before working or entering the area under the dump body.
2. Do not leave the dump body raised or partially raised while unattended or while performing maintenance, service or cleaning unless the dump body is propped to prevent accidental lowering.
3. Do not lower the dump body while it is propped.

MAINTENANCE

SPECIFICATIONS

DT-12	
Drive system	Standard: Tractor Plug-In Hydraulics
Trailer capacity	4.5 yds., 12,000 lbs.:
Box dimensions	108 in. x 78 in.
Overall length	152 in.
Overall width	80 in.
Floor heights	36 in.
Loading heights	56 in.
Weight without options	2200 lbs.
Tires	26.5 - 14 - 12
Trailer construction	11 Gauge Welded steel with Powder coat
Hitch and frame	Heavy Duty Frame and Tongue with Adjustable Clevis Hitch
Operating speed	0 to 10 mph - Speed may vary depending on ground conditions
Transport speed	25 mph maximum

ILLUSTRATED PARTS BREAKDOWN

Figure 3-1. Frame, Wheels, Drawbar, Jack and Related Parts.....	8
Figure 3-2. Bed Frame, Sides, Extensions and Related Parts.....	10
Figure 3-3. Hydraulics and Related Parts.....	12
Figure 3-4. Decals.....	14

HOW TO ORDER REPAIR PARTS

Each Dump Trailer has its own model and serial number.

The model number for the Dump Trailer is located on the side of the bed sides. The serial number for the Dump Trailer is located on the lower front bed frame above the drawbar.

Always mention the model and serial number when calling for service or when ordering repair parts.

All parts listed and illustrated in this manual may be ordered through your nearest authorized dealer. If parts you need are not available locally, your order will be processed through the factory and shipped promptly.

When ordering repair parts, have the following information ready:

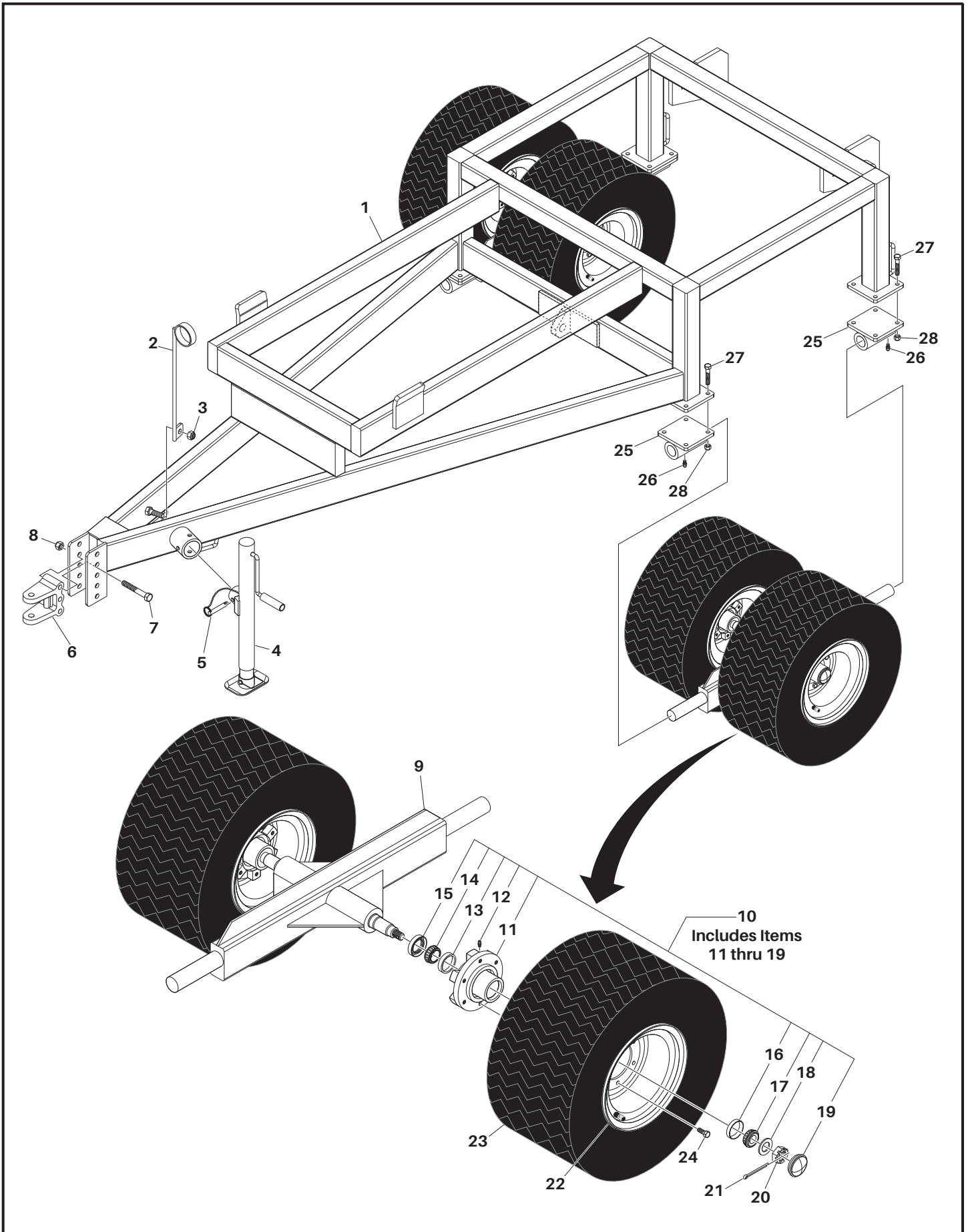
1. Item part number
2. Quantity needed
3. Part description
4. Dump Trailer model and serial number

Be sure to record both the model and serial number of your Dump Trailer upon delivery. Keep this information in a safe place for future reference.

TurfTime Equipment, LLC
156 Kurtz Road
New Holland PA 17557
Phone (800) 201-1031

ILLUSTRATED PARTS BREAKDOWN

Figure 3-1. Frame, Wheels, Drawbar, Jack and Related Parts



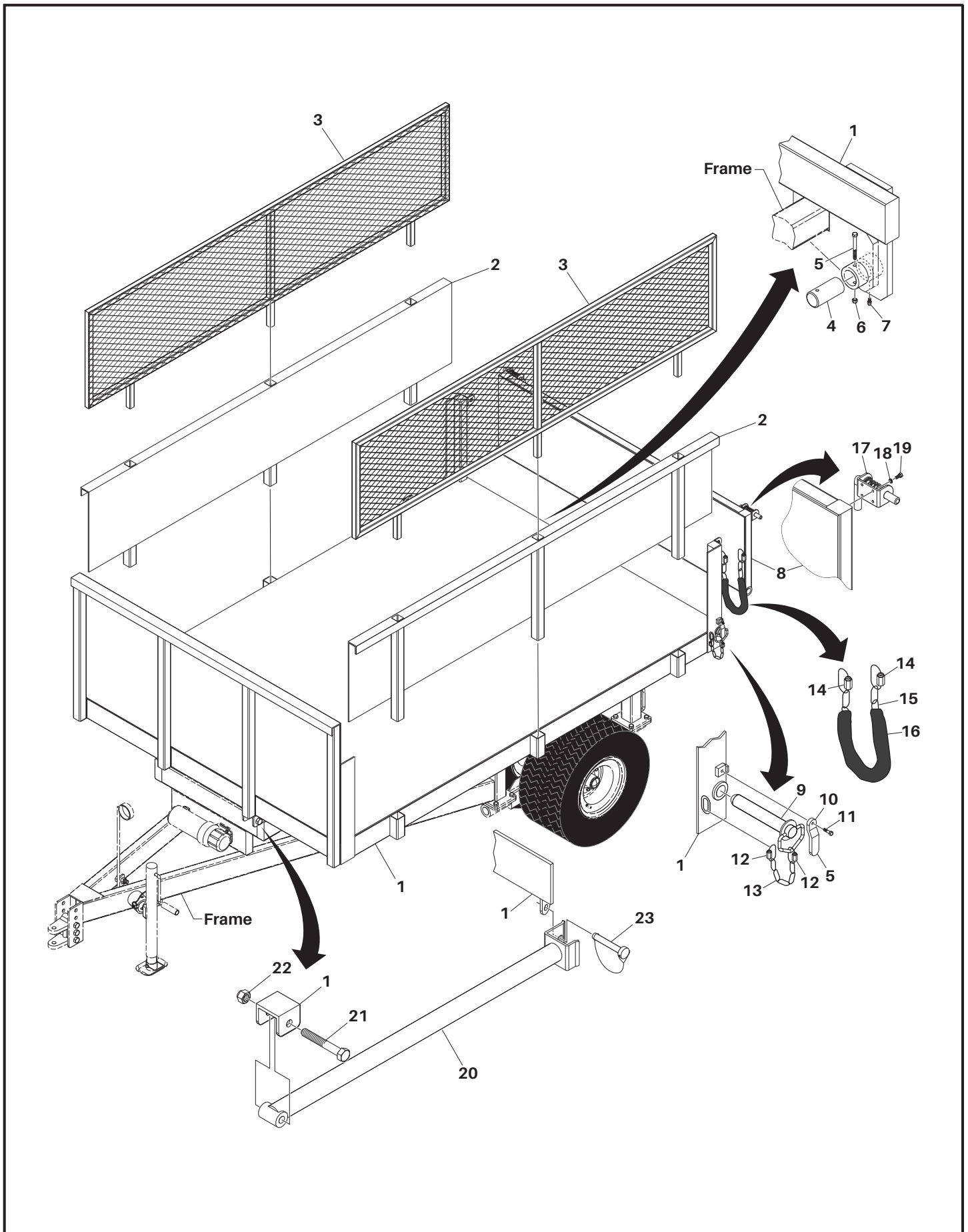
ILLUSTRATED PARTS BREAKDOWN

Figure 3-1. Frame, Wheels, Drawbar, Jack and Related Parts

Item	Part No.	Qty	Description
1	NSS	1	Frame Assembly, Dual Wheels, Model DT-12
2	DT-12001	1	Holder, Hose
3	DT-12002	1	Nut, Hex, Nylon Lock, 5/8"-11UNC
4	DT-12003	1	Jack, Includes Item 5
5	DT-12004	1	Pin
6	507018	1	Hitch, 3 Bolt Ag
7	DT-12006	3	Bolt, Hex Head, 5/8"-11UNC x 4-1/2" Long
8	DT-12007	3	Nut, Hex, Nylon Lock, 5/8"-11UNC
9	DT-12008	2	Axle
10	DT-12009K	4	Kit, Hub Assembly, Includes Items 11 thru 19
11	DT-12009	4	Hub Assembly, Includes Item 12
12	DT-12010	4	Fitting, Grease, 1/4"-20UNC
13	DT-12011	4	Race, Inner Bearing
14	DT-12012	4	Bearing, Inner
15	DT-12013	4	Seal, Grease
16	DT-12014	4	Race, Outer Bearing
17	DT-12015	4	Bearing, Outer
18	DT-12016	4	Washer, Flat
19	DT-12019	4	Cap
20	DT-12017	4	Nut, Castle
21	DT-12018	4	Pin, Cotter
22	DT-12020	4	Wheel Assembly
23	DT-12021	4	Tire, 26.5 x 14-12
24	DT-12022	24	Bolt, Lug, Hex Head, 1/2"-20UNF
25	DT-12023	4	Pivot, Axle, Includes Item 26
26	DT-12010	4	Fitting, Grease, 1/4"-20UNC
27	DT-12024	16	Bolt, Hex Head, 1/2"-13UNC x 2" Long
28	DT-12025	16	Nut, Hex, Nylon Lock, 1/2"-13UNC
			NSS - Not Serviced Separately

ILLUSTRATED PARTS BREAKDOWN

Figure 3-2. Bed Frame, Sides, Extensions and Related Parts



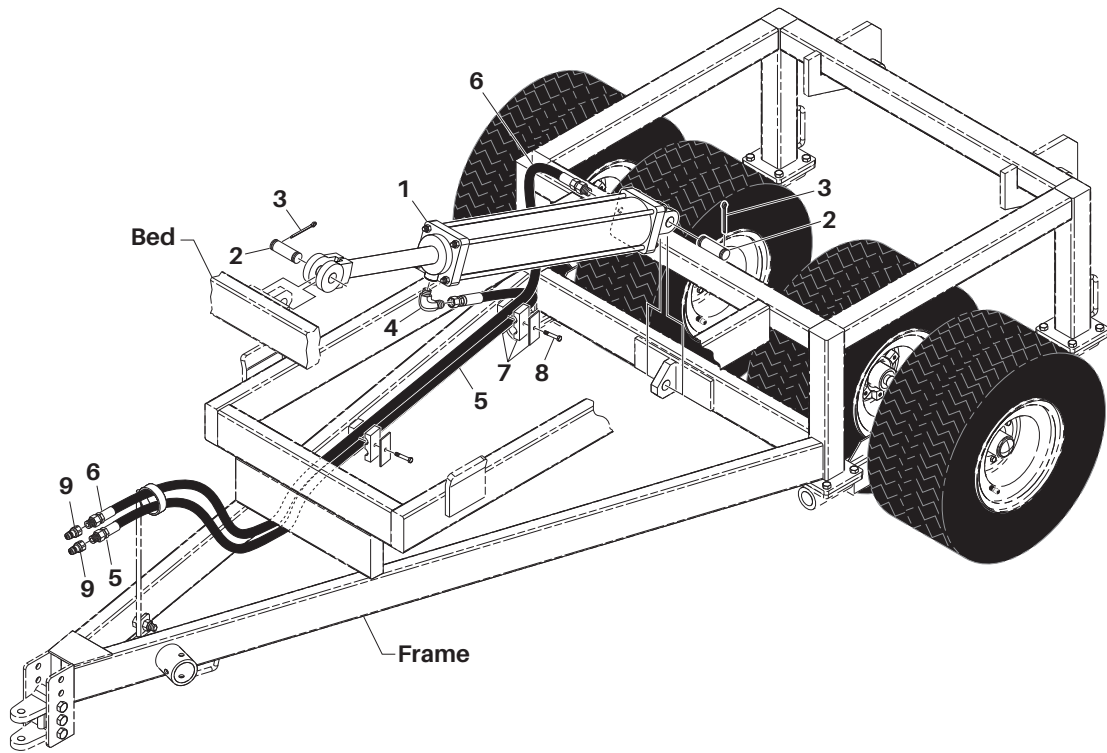
ILLUSTRATED PARTS BREAKDOWN

Figure 3-2. Bed Frame, Sides, Extensions and Related Parts

Item	Part No.	Qty	Description
1	DT-12026	1	Bed Frame
2	DT-12027	2	Sides, Removable, 20" High
3	DT-12028	2	Extension, Mesh, 24" High
	DT-12029	2	Extension, Mesh, 40" High
4	DT-12030	2	Pin, Pivot, 1-3/4" Dia. x 5" Long
5	DT-12031	2	Bolt, Hex Head, 5/16"-18UNC x 3" Long
6	DT-12032	2	Nut, Hex, Nylon Lock, 5/16"-18UNC
7	DT-12010	2	Fitting, Grease, 1/4"-20UNC
8	DT-12033	1	TailGate
9	DT-12034	2	Pin, Pivot, Tailgate, 3/4" Dia. x 4-1/4" Long
10	DT-12035	2	Handle, Lock, Pin
11	DT-12036	2	Bolt, Hex Head, 5/16"-18UNC x 1" Long
12	DT-12037	4	Quick Link, Chain
13	DT-12038	2	Chain
14	DT-12039	4	Quick Link, Chain
15	DT-12040	2	Chain
16	DT-12041	2	Sleeve, Chain, 18" Long
17	DT-12042	2	Latch, Tailgate
18	DT-12043	8	Washer, Lock, 1/4"
19	DT-12044	8	Bolt, Hex Head, 1/4"-20UNC x 3/4" Long
20	DT-12045	1	Prop
21	DT-12046	1	Bolt, Hex Head, 3/4"-10UNC x 4" Long
22	DT-12025	1	Nut, Hex, Nylon Lock, 3/4"-10UNC
23	DT-12047	1	Pin, 1/2" Dia. x 2" Long

ILLUSTRATED PARTS BREAKDOWN

Figure 3-3. Hydraulics and Related Parts



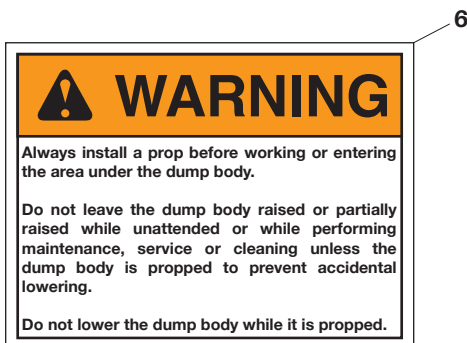
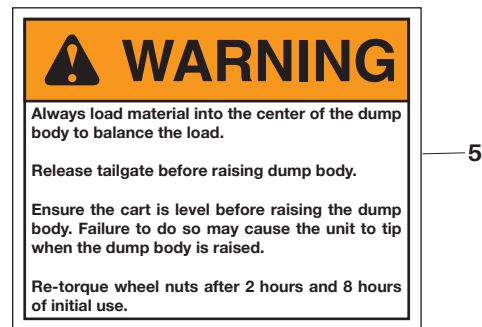
ILLUSTRATED PARTS BREAKDOWN

Figure 3-3. Hydraulics and Related Parts

Item	Part No.	Qty	Description
1	DT-12048	1	Cylinder Assembly, 5" Dia Bore x 30" Stroke, Includes Items 2 & 3
2	DT-12049	2	Pin, 2-1/2" Dia. x 4-1/2" Long
3	DT-12050	4	Pin, Cotter, 1/4" Dia. x 2" Long
4	DT-12051	1	Fitting, Elbow
5	DT-12052	1	Hose Assembly, 1/2" Dia. x 176" Long
6	DT-12053	1	Hose Assembly, 1/2" Dia. x 144" Long
7	DT-12054	2	Clamp, Hose
8	DT-12055	2	Bolt, Hex Head, 1/4"-20UNC x 2" Long
9	DT-12056	2	Fitting, Quick Disconnect, Male

ILLUSTRATED PARTS BREAKDOWN

Figure 3-4. Decals



ILLUSTRATED PARTS BREAKDOWN

Figure 3-4. Decals

Item	Part No.	Qty	Description
1	DT-12057	3	Decal, Logo, TurfTime Equipment
2	DT-12058	2	Decal, Model DT-12
3	DT-12059	1	Decal, Made in the USA
4	DT-12060	1	Decal, Warning, High Pressure Fluid
5	DT-12061	1	Decal, Warning, Center Load
6	DT-12062	1	Decal, Warning, Prop
7	DT-12063	1	Decal, Warning, Pinch Point
8	DT-12064	2	Decal, Warning, Check Lug Bolts
9	DT-12065	1	Plate, Serial Numbers

MAINTENANCE RECORDS

ITEM	COMMENT	DATE

*TurfTime Equipment, LLC
156 Kurtz Road
New Holland PA 17557
Phone (800) 201-1031*

Copyright 2025