



800 N. Railroad Avenue
New Holland PA 17557
Phone (800) 201-1031
<http://www.turftimeeq.com/>



Topdresser

Owner's Manual

MODEL GT100

DISCLAIMER

The information in this manual is provided to promote the safe use of and assist the operator in achieving the best performance from the products described when used for their intended applications.

TurfTime Equipment, LLC reserves the right to alter, correct, and/or improve the documentation and the products described within the documentation at its own discretion and without giving prior notice as far as this is reasonable to the owner of the products.

You are responsible to verify the suitability and intended use of any TurfTime Equipment, LLC products for your specific application. All information made available in the documentation is supplied without any accompanying guarantee.

This manual, including all illustrations contained herein, is copyright protected. Any changes to the contents or the publication of extracts of this document is prohibited. This manual is furnished to you by TurfTime Equipment LLC as a guide to get the greatest benefit from your product. Before attempting to install or operate, carefully read all sections of this manual. Be sure that you thoroughly understand all of the safety information and operating procedures.

SAFETY PRECAUTION DEFINITIONS

Dangers, Warnings, Cautions, and Notes are strategically placed throughout this manual to further emphasize the importance of personal safety, qualifications of operating personnel, and proper use of the equipment in its intended application. These precautions supplement and/or complement the safety information decals installed on the equipment and include headings that are defined as follows:

DANGER

Indicates an imminently hazardous situation which, if not avoided, will result in death or serious injury.

WARNING

Indicates a potentially hazardous situation or practice which, if not avoided, could result in death or serious injury.

CAUTION

Indicates a potentially hazardous situation or practice which, if not avoided, will result in damage to equipment and/or minor injury.

NOTICE

Indicates an operating procedure, practice, etc., or portion thereof, which is essential to highlight.

Always use caution and safe operating practices when operating this equipment.

Install all safety panels and guards before operating your equipment.

Stay clear of all moving parts when the machine is in operation.

Keep all people clear of the machine when it is running.

Read and comply with all safety recommendations of your tractor/skid steer manufacturer, as outlined in its operator and service manuals.

NOTE: Some equipment depicted in illustrations may not reflect exact production model configurations.

LIMITED WARRANTY STATEMENT

3-year Limited Warranty

TurfTime Equipment, LLC, (TTE) hereby warrants that TTE's products will be free from defects in material and workmanship under normal use according to the provisions and limitations herein set forth. All parts, specifically EXCLUDING expendable 'wear' parts, that become unserviceable, due to defective material or workmanship, within 3 YEARS of date of the original retail purchase, shall, at TTE's option, be repaired or replaced as detailed below.

If the equipment is used for rental purposes, warranty is limited to 90 days from the initial rental date.

Limitations

The obligations of TTE for breach of warranty shall be limited to products manufactured by TTE; (1) that are installed, operated, and maintained according to TTE's instruction furnished and/or available to the purchaser upon request; (2) that are installed according to all other applicable federal, state, and local codes or regulations; and (3) that the purchaser substantiates were defective in material and workmanship notwithstanding that they were properly installed and correctly maintained as set forth and were not abused or misused. The obligation of TTE shall be limited to replacing or repairing the defective product, at the option of TTE. TTE shall not be responsible for any labor or cost of removal or repairing or reinstallation of its products and shall not be liable for transportation costs to and from its facility in New Holland, PA. Use of parts for modification or repair of the product or any component part thereof not authorized or manufactured by TTE specifically for such product shall void this warranty.

This warranty shall not apply to any damage to or defect in TTE's products that is directly or indirectly caused by; (1) FORCE MAJEURE, act of GOD, or other accident not related to an inherent product defect; or (2) abuse, misuse, or neglect of the such product, including any damage caused by improper assembly, installation, adjustment, or faulty instruction of the purchaser. Other than as expressly set forth hereinabove, TTE makes no other warranty, express or implied, with respect to any of TTE's products, included but not limited to any merchantability or fitness for a particular

purpose. In no event shall TTE be responsible for any incidental or consequential damages of any nature suffered by purchaser or any other person or entity caused in whole or in part by any of TTE's products.

Any person or entity to whom this warranty extends and who claims breach of warranty against TTE must bring suit thereon within 60 days from the date of occurrence of such breach of warranty or be forever barred from any and all legal or other remedies for such breach of warranty. TTE is not responsible for and hereby disclaims any undertaking, representation, or warranty made by any dealer, distributor, or other person that is inconsistent with or in any way more expensive than the provisions of this limited warranty. This warranty grants specific legal rights and shall be read in conformity with applicable state law. In some jurisdictions, the applicable law mandates warranty provisions that provide greater rights than those provided for herein. In such case, this limited warranty shall be read to include such mandates provisions; and any provision herein that is prohibited or unenforceable in any such jurisdiction shall, as to such jurisdiction, be ineffective to the extent of such prohibition or unenforceable without invalidating the remaining provisions and without affecting the validity or enforceability of such provisions in any other jurisdiction.

Statement of Policy

In accordance with our established policy of constant improvement, we reserve the right to amend these specifications at any time without notice.

Warranty by Manufacturer

Dealer/distributor understands and agrees that the manufacturer extends only the following warranty to its customers. In the event dealer/distributor extends any additional warranty such as enlarging the scope or period of warranty or undertaking a warranty of fitness for any particular purpose or obligation not encompassed in manufacturer's warranty, dealer/distributor shall be solely responsible therefore and shall have no recourse against manufacturer with respect thereto.

TABLE OF CONTENTS

Disclaimer.....	i
Safety Precaution Definitions.....	i
Limited Warranty Statement.....	ii
3-year Limited Warranty.....	ii
Limitations.....	ii
Statement of Policy.....	ii
Warranty by Manufacturer.....	ii
Safety.....	1
Assembly.....	1
Inspection.....	1
SETUP AND OPERATION.....	1
Before use.....	2
Drawbar connection.....	2
Electric controls (optional).....	2
Operating Considerations.....	2
Load capacity.....	2
Hydraulic requirements.....	2
Operation.....	3
Engine.....	3
Control Box.....	3
Loading.....	3
Top dressing.....	3
Metering gate adjustment.....	3
Web and Spinner Speeds.....	4
Spinner Angle.....	4
Ground speed.....	4
Spread pattern.....	4
Hydraulics.....	4
Adjustments.....	4
Metering gate.....	5
Belt speed.....	5
Spinner speed.....	5
Lubrication.....	7
Recommended procedure.....	7

General	7
Wheels and tires.....	7
Hydraulic system	7
MAINTENANCE.....	7
Auxiliary engine.....	8
Wheel bearings	8
Apron belt.....	8
Belt tension	8
Belt tracking	8
Belt replacement	9
Troubleshooting.....	10
Specifications.....	11
NOTES.....	12
How to order repair parts.....	13
ILLUSTRATED PARTS BREAKDOWN.....	13
MAINTENANCE RECORDS.....	36

LIST OF FIGURES

Figure 1-1.	Engine Controls.....	3
Figure 1-2.	Control Box	3
Figure 1-3.	Web and Spinner Speeds.....	4
Figure 1-4.	Spinner Angle	4
Figure 2-1.	Roller Bearings.....	7
Figure 2-2.	Wheel Hub Lubrication	7
Figure 2-3.	Wheel Hub	8
Figure 2-4.	Belt Tensioner	8
Figure 2-5.	Belt Replacement	9
Figure 3-1.	Frame, Drawbar and Related Parts - Tractor Units	14
Figure 3-2.	Frame, Drawbar and Related Parts - Engine Units	16
Figure 3-3.	Frame, and Related Parts - John Deere UVM Units.....	18
Figure 3-4.	Engine, Remote Control and Related Parts	20
Figure 3-5.	Rollers, Bearing, Belt and Related Parts	22
Figure 3-6.	Hopper, Gate, Skirtboard and Related Parts.....	24
Figure 3-7.	Hydraulics and Related Parts for Tractor Units.....	26
Figure 3-8.	Hydraulics and Related Parts for Engine Units.....	28
Figure 3-9.	Hydraulics and Related Parts for UVM Units	30
Figure 3-10.	Spinners and Related Parts.....	32
Figure 3-11.	Decals.....	34

For future use

SETUP AND OPERATION

SAFETY

While operating this equipment use common sense and follow all safety guidelines.

In addition to observing the specific precautions listed throughout this manual, the following general statements apply. These must be adhered to in order to insure proper and safe operation.

DANGER

DO NOT get off the tractor while the tractor PTO is engaged. Insure that the PTO shield and safety chains are properly installed.

Keep hands and feet from under the equipment at all times. Make sure that all people are safely clear of the equipment before operating.

In order to prevent serious injury and to promote safe operation, keep shields in place during operation, and insure that all mounting hardware is properly tightened.

WARNING

DO NOT attempt to operate the equipment in areas with steep inclines, ditches, large rocks, stumps, or holes that may upset the tractor, endangering the operator or damaging the equipment.

Never clean, adjust or repair the equipment while it or the tractor are running. Never attempt to pull material from any part of the equipment while it is running.

Never wear loose clothing while operating the equipment as it may become caught in the moving parts of the machine.

For safe operation of the equipment, periodically inspect all parts for excessive wear. Replace worn components with authorized parts.

To prevent the hitch from becoming disconnected during operation, always use the proper size hitch pin and safety cotter pin.

Be sure to use proper safety chains when towing equipment on a public roadway.

CAUTION

Most equipment accidents can be avoided by the observance of a few simple safety precautions.

Do not clean, lubricate or make any adjustments on the equipment while it is in motion.

Do not start the machine until you know everyone is clear of the area and all tools have been stowed away.

Do not work around the unit in loose clothing that might catch on any of the moving parts.

Do not attempt to pull material from any part of the equipment while it is in operation.

Replace all shields after lubrication or repairs.

Do not allow anyone to ride on the equipment.

Park on level ground or block wheels to prevent the machine from rolling.

Always follow manufacturer's instructions for maintenance, repair and adjustments.

Read and pay close attention to hydraulic line safety.

WARNING

Never attempt to stop a leak by covering it with your hand as doing so can cause severe injury.

TurfTime Equipment LLC assumes no liability for injuries sustained because of failure to read this manual or due to carelessness. Always refer to this manual for guidance, or contact your local dealer.

ASSEMBLY

Inspection

While the Topdresser is shipped fully assembled, it is recommended that an inspection be made upon receipt and any damage or shortages be reported to the shipping company.

SETUP AND OPERATION

Before use

Before initial use, check the following:

- Check for proper assembly and adjustment making sure all bolts are securely tightened. Re-tighten the bolts after 4 hours of operation.
- Torque the wheel bolts to 120 lb-ft. Recheck the bolts after every other load until the torque does not decrease and every 300 loads thereafter.
- Check the tires and inflate them to the recommended pressure shown on the side wall of each tire.
- Adjust the tractor hitch and attach the Topdresser to the tractor as detailed in this manual.
- Connect the hydraulic hoses to the tractor hydraulic ports, if required.
- Lubricate the machine completely and check the oil level in the hydraulic reservoir, if applicable.
- Install a slow moving vehicle (SMV) emblem (available from your dealer) on the rear of the unit, if the Topdresser is to be transported on public roadways.
- Do not operate the Topdresser until after "Safety" on page 1 in this manual has been read and understood by the operator.
- Review "Figure 3-11. Decals" on page 34, and ensure that all the decals are legible on the Topdresser. Read and understand each decal and understand what the dangers involved.
- If equipped with an engine drive, ensure the engine oil and coolant have been checked and are within the specified fill level range.

Drawbar connection

WARNING

Only connect the Topdresser to the tow vehicle drawbar. Never connect it to the 3-point hitch in any way.

Use only a 3/4" hitch pin of sufficient length to engage the upper and lower clevis of the drawbar.

Always use a clip to secure the hitch pin in the drawbar.

Electric controls (optional)

An optional electric control is available to engage the apron belt from the operator station. A remote switch with connection to a 12-volt battery must be established on the tow vehicle.

OPERATING CONSIDERATIONS

NOTICE

Not following these instructions may void the warranty.

Load capacity

WARNING

Weight limitations apply!

Ensure the tow vehicle is capable of handling the gross vehicle weight (GVW) of the Topdresser and its load. The GVW of the Topdresser must not exceed 1.5 times the weight of the tow vehicle.

The weight rating of the tires must not be exceeded. Refer to the tire sidewall for the maximum weight capacity.

The tire load capacity is printed on the sidewall of the tire. Multiply this capacity time the number of tires to determine the gross vehicle weight rating (GVWR) of the Topdresser.

The volume capacity of the Topdresser may allow overloading of the tires, tow vehicle, or both, when using high-density products, such as sand. Know the weight of the product you are loading.

For example, the empty (tare) weight of a GT-100 is 1500 lb. The capacity of each 26.5-14 x 12 tire is 5100 lb. or 10200 lb. total. This will allow 7200 lb. of material to be loaded into the Topdresser. Some materials are very dense (sand is approximately 90 lb/ft³), the GT-100 may appear to be only approximately 3/4 full. Other materials (hydrated lime is approximately 25 lb/ft³) will allow installation of the optional side extensions without exceeding the GVWR.

Hydraulic requirements

The Topdresser belt and spinners are hydraulically driven. The hydraulic system is driven by a Honda GX390 13-horsepower engine mounted on the side of the Topdresser.

SETUP AND OPERATION

If using the tow vehicle hydraulics, it must provide a minimum of 8 gpm flow at 1750 psi. Adjustable oil flow is recommended to limit the oil flow to less than 10 gpm. Oil flow outside of this range may result in hydraulic components overheating and insufficient operational quality.

NOTICE

Refer to the tow vehicle documentation for details on setting and maintaining the hydraulic flow and pressure recommendations.

WARNING

Hydraulic oil under pressure can penetrate the skin causing serious personal injury. Before applying pressure to the system, ensure that all lines and couplers are tight and not damaged.

Before disconnecting lines, be sure to relieve pressure in the system.

Always clean the hydraulic quick couplers on the tow vehicle and Topdresser before connecting.

OPERATION

Engine

Ensure that the gas valve is open and throttle is set at a strong idle and start engine. Choke only if necessary. If the electric start does not work, for any reason, the manual pull start rope is available as a backup.

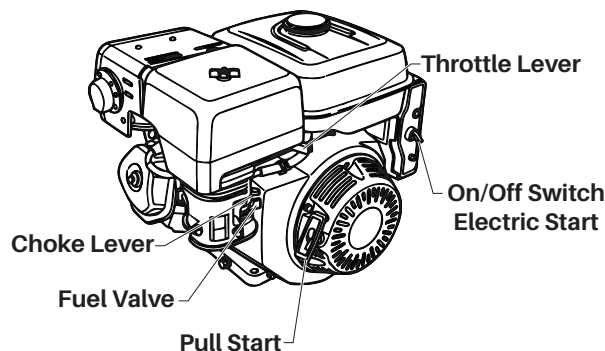


Figure 1-1. Engine Controls

Control Box

The control box is attached to a long cable and allows the operator to control the spinners and the Floor Belt from the seat of the tow vehicle. The control box cable plugs into the receptacle on the front of the engine stand.

NOTE: UVM models use a single switch control box.

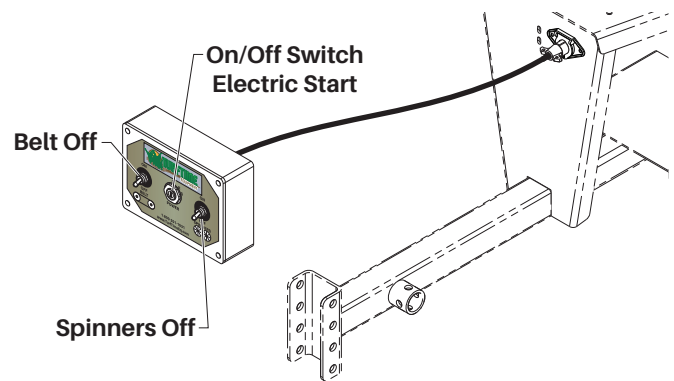


Figure 1-2. Control Box

Loading

Always load the Topdresser on a flat, level surface while attached to the tow vehicle. Best results are obtained when the load is distributed evenly across the Topdresser.

NOTICE

The Topdresser should not be stored outdoors without a tarp covering the load. In the event of rain, the moisture absorbed by the loaded material may cause overload of the Topdresser, as well as making it difficult to unload.

Never allow a load to freeze in the Topdresser as severe equipment damage may result.

Top dressing

There are three variables which effect how much material is applied:

- Metering gate opening.
- Belt speed.
- Ground speed.

The spinner speed determines the width of the spread pattern, ranging from 6 to 40 ft.

Metering gate adjustment

The rear metering gate is on a manually operated slide. Loosen both knobs, adjust gate to preferred setting and tighten both knobs.

For most organic-material applications, the metering gate opening should be in the three- to six-inch range. A four-inch opening is recommended as a starting point.

SETUP AND OPERATION

Web and Spinner Speeds

The web and spinner speed is controlled by the adjustment knobs on the left side of the top-dresser. The knob on the left controls the spinners and the one on the right controls the floor speed. The speed increases when the knob is turned counter-clockwise and decreases when it is turned clockwise.

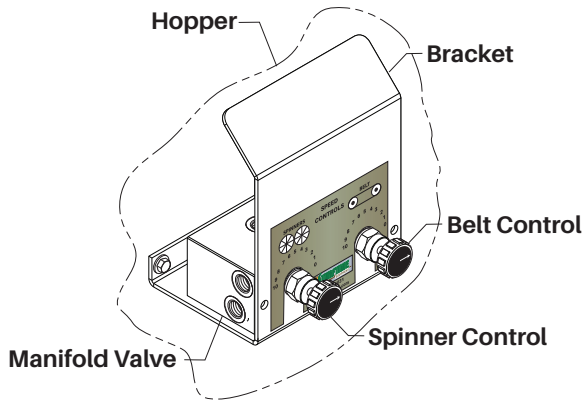


Figure 1-3. Web and Spinner Speeds

Position **10**, located at the 3 o'clock position, will produce the maximum belt speed. Most applications will utilize a belt speed between 7 and 9, with position **8** recommended as a starting point.

Spinner Angle

The angle of the spinners can be adjusted to allow for greater control in depth, width and penetration of spread material. Loosen the locking handle and manually move the spinner frame to the desired angle then retighten the locking handle.

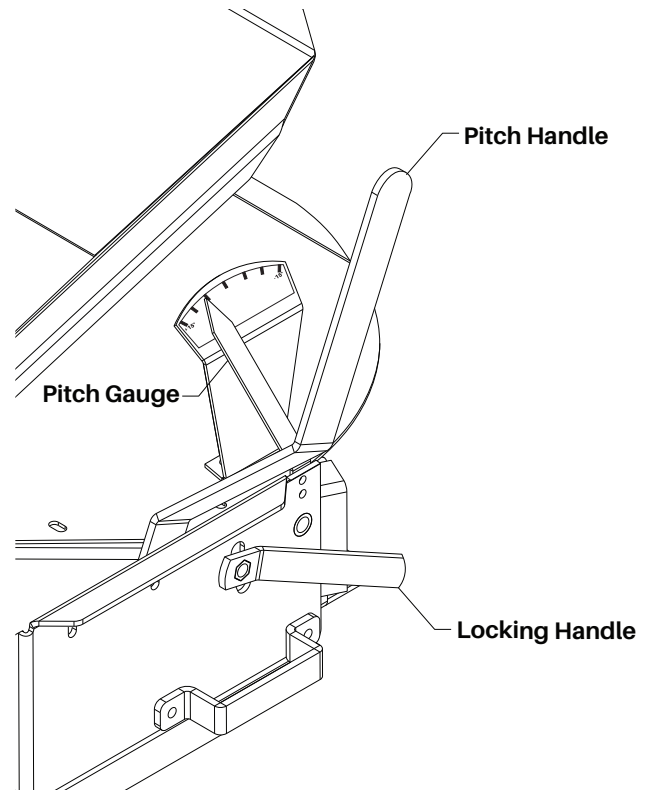


Figure 1-4. Spinner Angle

Ground speed

Optimum ground speed for topdressing is approximately 6 MPH. This speed will vary according to application rate, type of material being spread, and weather conditions. Dampness affects the rate at which some materials spread. Vary speed accordingly from 2 to 8 MPH.

Spread pattern

Normal speed of dual spinners creates up to a 35' spread pattern of most material. Reducing the spinner speed causes the spread pattern to be narrower, but with greater depth.

Hydraulics

Maintain engine speed at highest rpm. Engine throttle is preset at factory to maintain proper hydraulic pump pressure.

ADJUSTMENTS

It is recommended that a smaller, known amount of material be spread over a specific area and then further adjustments can be made to obtain the correct application rate. Adjustments can be made to the metering gate, belt speed or spinner speed to fine tune the application rate and coverage.

 **CAUTION**

Never stand behind the Topdresser to make adjustments, perform maintenance, or repair equipment when the power source is active.

Belt speed

The apron belt moves material to the rear of the Topdresser. While you want to always have material available at the metering gate opening, too much material could accumulate against the metering gate and inhibit the material flow or cause bridging.

To adjust the belt speed, change the belt speed flow control valve (see [Figure 1-3](#)). Higher-number positions increase the belt speed and lower-number positions decrease belt speed. Maximum belt speed is 26 ft. per min. and adjustments should be made in small increments. Each number position results in a 2.6 ft. per min. difference in belt speed.

Spinner speed

Spinner speed is adjusted by using the spinner flow control valve (see [Figure 1-3](#)). Higher numbers on the valve result in higher rotational speed and a wider pattern. Lower numbers result in a lower rotational speed and a narrower pattern.

For future use

MAINTENANCE

⚠ WARNING

Always stop the machine and turn off the power supply, either the tow vehicle or auxiliary engine, before servicing the machine.

LUBRICATION

The Topdresser requires a minimum amount of lubrication. However, the importance of sufficient and proper lubrication cannot be overstated as it is the best insurance against unnecessary repairs and will greatly increase the life of the machine.

Recommended procedure

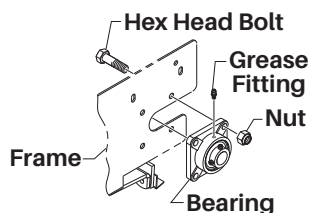
Use a high-quality, extreme pressure (EP) 2 lithium grease on all bearings. Examples of acceptable grease are ExxonMobil Ronex MP and Lubriplate 1200-2.

Ensure grease fittings are free of paint and dirt. Grease should be forced into the fittings until it comes out around the shaft.

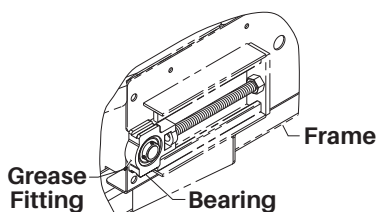
NOTICE

Do not over-lubricate sealed bearings. Apply one-half stroke or pump from a grease gun once per year.

Lubricate all roller bearings once per year.



Bearings Drive Roller



Front Roller

Figure 2-1. Roller Bearings

Lubricate all belt-tightening bearings once per year.

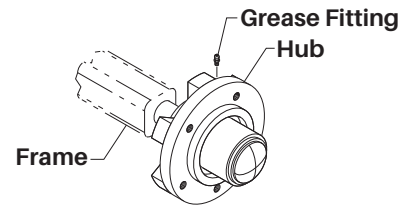


Figure 2-2. Wheel Hub Lubrication

GENERAL

⚠ CAUTION

Always replace shields after maintenance and before beginning operation.

Protect the machine from weather when it is not in use.

Check the hopper at the end of each day for material build up or more often if spreading particularly wet or sticky material. Clean out any excess material when found.

At the end of each season, check the Topdresser carefully and replace all worn or damaged parts. Use only genuine TurfTime parts supplied by your authorized TurfTime dealer.

Keep the spinners and apron belt clean. Remove any residue, spread material buildup, and foreign objects regularly.

Never store material in the Topdresser during cold months. Freezing of the material could cause severe damage, such as a torn apron belt.

Storing wet material in the Topdresser or keeping it outdoors with material in it will cause early corrosion.

Wheels and tires

Once each month:

Check the lug bolt torque on each wheel. Bolts should be torqued to 120 lb-ft.

Check tires for cuts and damage.

Ensure tires are properly inflated.

Hydraulic system

Once per month:

Inspect the hydraulic hoses for flexibility and any sign of rubbing or cracking. Replace any hose where a defect is found.

MAINTENANCE

Auxiliary engine drive: Check hydraulic reservoir level.

Ensure the tow vehicle hydraulics are well maintained with clean oil. Follow the prescribed maintenance plan of the tow vehicle.

Auxiliary engine

The optional engine is a Honda GX390. Following recommended maintenance specified in the manuals that came with the engine.

NOTICE

For engine warranty and maintenance issues, contact an authorized Honda dealer.

Wheel bearings

Wheel hub bearings must be adjusted after 100 loads or one year, whichever comes first.

To adjust the wheel hub torque:

1. Park the Topdresser on a level place and chock the wheels to ensure that it will not roll or move.
2. Raise one side of the Topdresser using a jack or appropriate lifting device.

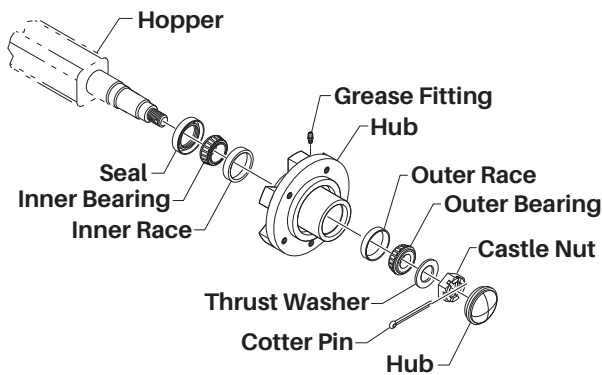


Figure 2-3. Wheel Hub

3. Remove the hub cap from the center of the hub.
4. Remove the cotter pin from the slotted nut and loosen the slotted nut (rotate it counterclockwise) a turn or two.
5. While rotating the hub, use a torque wrench to torque the slotted nut to 35 lb-ft.
6. Rotate the slotted nut counterclockwise (back-off) just enough for a nut slot to align with the axle hole. Install the cotter pin through the slotted nut and axle. Do not back-off the slotted nut more than one-third turn.

7. Repeat steps 2 through 6 for the other side of the machine.

Apron belt

Check the apron belt weekly for proper tension and tracking.

Belt tension

It is common for a new belt to stretch in the first few loads so a new machine or if the belt has been replaced, check the belt tension after the first two loads and again after ten loads.

If the belt slips, adjust the belt tension:

1. Park the Topdresser on a level place and chock the wheels to ensure that it will not roll or move.

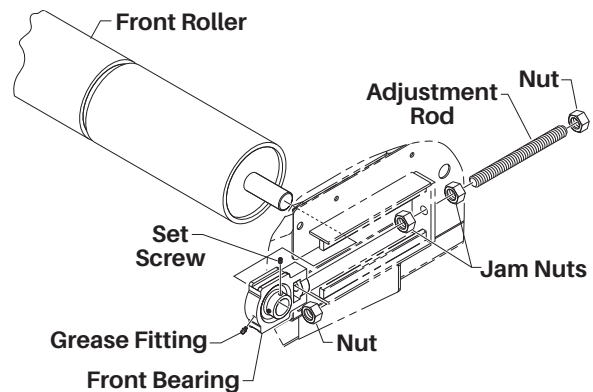


Figure 2-4. Belt Tensioner

2. Loosen the tensioner jam nut on each side of the machine.
3. Turn the adjustment nut clockwise one full turn on each side, making sure each side moves the same distance.
4. Tighten the jam nuts on each side to prevent movement.
5. With everyone clear, start and operate the Topdresser belt for 5 minutes to ensure there is no slippage.
6. If slippage continues, repeat steps 2 through 5. Stop the Topdresser and turn off the drive system before readjusting.

Belt tracking

NOTICE

If the apron belt is out of alignment, stop operation as soon as possible. While it is appropriate to empty the Topdresser to be able to adjust the

MAINTENANCE

belt, it is recommended that it be done so at a reduced speed.

The apron belt has a V-groove in the center, but it could potentially get out of alignment, if the belt tensioners are not set properly. This is indicated by a bulge in the belt at the rear roller and belt tracking to one side or the other.

This can be corrected by adjusting a belt tensioner.

1. Park the Topdresser on a level place and chock the wheels to ensure that it will not roll or move.
2. Determine the side to which the belt is moving. This is the "short" side and the belt tensioner must be lengthened on this side to realign the belt.

NOTICE

Alternatively, the "long" side can be shortened, but typically the belt has stretched since the last adjustment and needs to be lengthened anyway.

3. Loosen the tensioner jam nut on the short side of the belt.
4. Turn the adjustment nut clockwise one full turn.
5. Tighten the tensioner jam nut to prevent movement.

6. With everyone clear, start and operate the Topdresser belt for 5 minutes to ensure proper tracking.

Belt replacement

When installing a replacement belt, after installation and tracking the Belt. Cover the lacing with the silicone/calk that was provided with the new replacement belt.

Let it dry before using top dresser. This is to prevent sand from syphoning through the lacing and getting in between the belt.

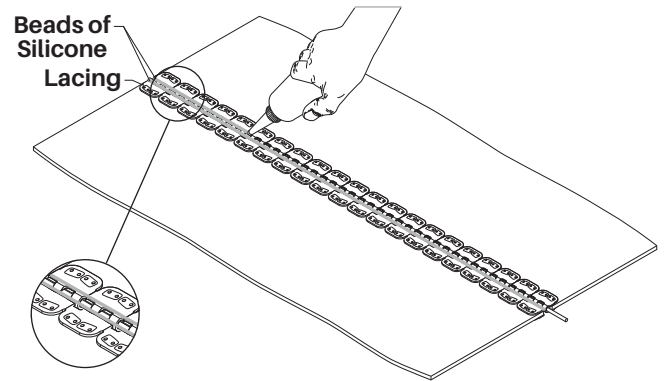


Figure 2-5. Belt Replacement

NOTE Apply two beads of silicone and then smear all over the lacing,

MAINTENANCE

TROUBLESHOOTING

Problem	Possible cause	Check
Machine is engaged, but not functioning	Material is bridged at the metering gate	Disengage the drive system (vehicle hydraulics or auxiliary engine), raise the metering gate, and clear material causing the blockage
	Material is jammed at spinners or beaters	Disengage the drive system (vehicle hydraulics or auxiliary engine) and clear material from spinners
	Hydraulic oil level too low	Fill oil reservoir (vehicle or auxiliary engine hydraulic reservoir) to proper level
	Hydraulic controls not in correct position	Make sure hydraulic control valves are properly engaged in the correct direction
Spinners/beaters are turning but material is not feeding	Belt is slipping or broken	See belt maintenance section to replace or adjust belt
Belts and spinners/beaters are rotating in reverse	Vehicle hydraulic lines are reversed	Reverse lines on spreader
Hydraulic system doesn't have sufficient power to operate	Motor seals are worn, obstruction in hydraulic lines	See hydraulic maintenance section
	Oil overheated	Review hydraulic system requirements and ensure vehicle satisfies requirements
	Hydraulic oil level too low	Fill oil reservoir (vehicle or auxiliary engine hydraulic reservoir) to proper level

MAINTENANCE

SPECIFICATIONS

GT-100	
Engine	13 hp Honda GX390
Standard Controls	Electric Start, Spinner & Conveyor on/off
Loading Height	53 in.
Hopper capacity: Heaped	.75 to 1 Cubic Yard
Capacity	24 cubic ft.
Hopper Size	76 in. x 50 in. Top - 20 in. x 50in. Bottom
Metering Gate	Positive Locking
Spread Width	10 ft. - 30 ft.
Conveyor Belt	20 in. Wide - Smooth (optional crescent)
Belt Carrier	7 Self-Tracking, Slotted Rollers
Internal Belt Scraper	Yes
Empty Weight	1,050 lbs. (UVM Unit & Tractor Units)
Empty Weight	1,550 (Engine Units)
Tire Size	26.5 x 14-12 Turf Tires
Hitch	Ag Pin Hitch

ILLUSTRATED PARTS BREAKDOWN

Figure 3-1.	Frame, Drawbar and Related Parts - Tractor Units	14
Figure 3-2.	Frame, Drawbar and Related Parts - Engine Units	16
Figure 3-3.	Frame, and Related Parts - John Deere UVM Units.....	18
Figure 3-4.	Engine, Remote Control and Related Parts	20
Figure 3-5.	Rollers, Bearing, Belt and Related Parts	22
Figure 3-6.	Hopper, Gate, Skirtboard and Related Parts.....	24
Figure 3-7.	Hydraulics and Related Parts for Tractor Units.....	26
Figure 3-8.	Hydraulics and Related Parts for Engine Units.....	28
Figure 3-9.	Hydraulics and Related Parts for UVM Units	30
Figure 3-10.	Spinners and Related Parts.....	32
Figure 3-11.	Decals.....	34

HOW TO ORDER REPAIR PARTS

Each Topdresser has its own model and serial number.

The serial number for the Topdresser is located at the left front corner see Figures 3-1, 3-2 and 3-3.

Always mention the model and serial number when calling for service or when ordering repair parts.

All parts listed and illustrated in this manual may be ordered through your nearest authorized dealer. If parts you need are not available locally, your order will be processed through the factory and shipped promptly.

When ordering repair parts, have the following information ready:

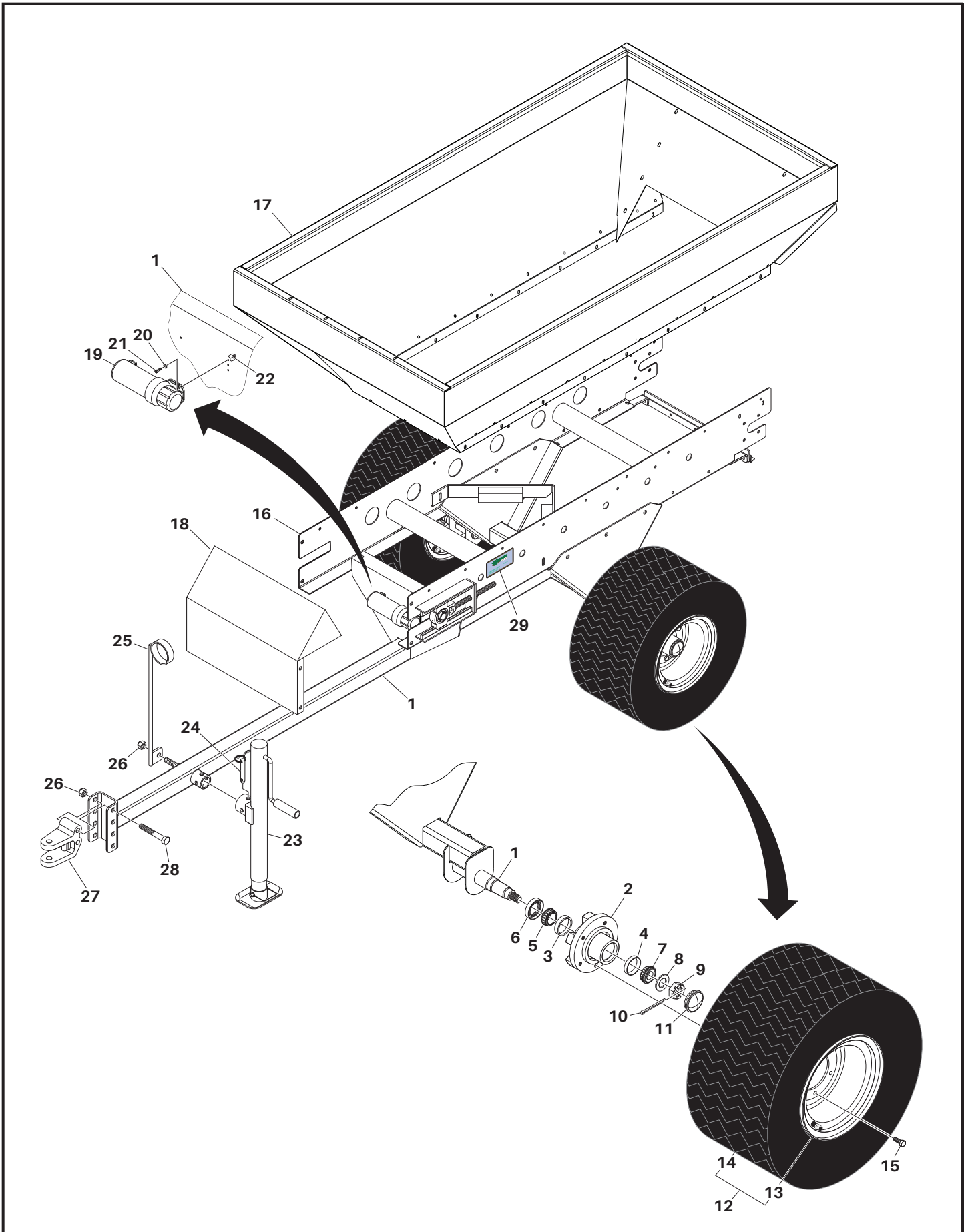
1. Item part number
2. Quantity needed
3. Part description
4. Topdresser model and serial number

Be sure to record both the model and serial number of your Topdresser upon delivery. Keep this information in a safe place for future reference.

TurfTime Equipment
800 N. Railroad Avenue
New Holland PA 17557
Phone (800) 201-1031

ILLUSTRATED PARTS BREAKDOWN

Figure 3-1. Frame, Drawbar and Related Parts - Tractor Units



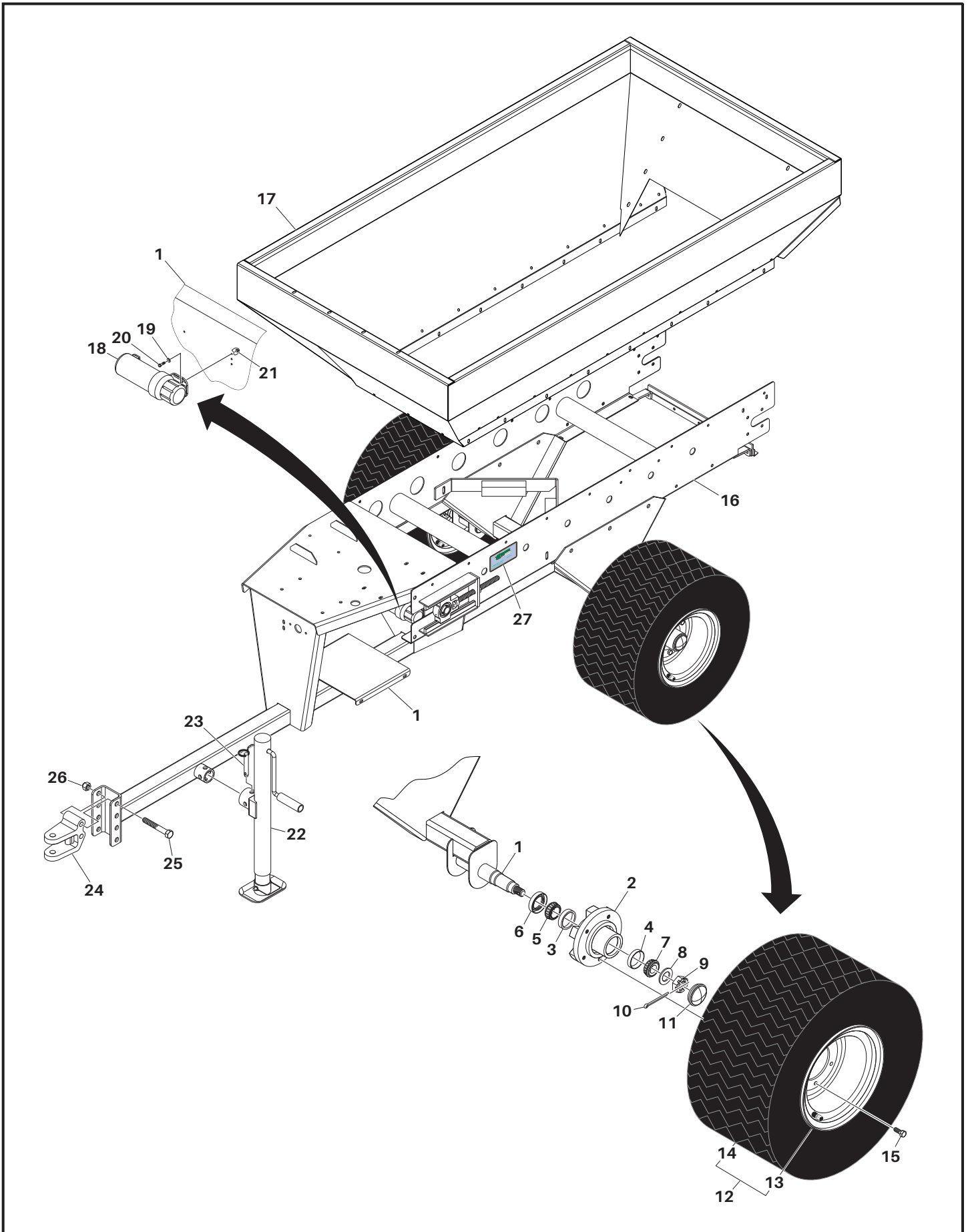
ILLUSTRATED PARTS BREAKDOWN

Figure 3-1. Frame, Drawbar and Related Parts - Tractor Units

Item	Part No.	Qty	Description
1	NSS	1	Drawbar Weldment
2	700027	2	Hub Assembly, Includes Items 3 thru 11
3	NSS	2	Race, Inner, LM67010
4	NSS	2	Race, Outer, LM11910
5	700142	2	Bearing, Inner, LM67048
6	700030	2	Seal, Grease Inner
7	700028	2	Bearing, Outer, LM11949
8	700032	2	Washer, Spindle
9	700034	2	Nut, Castle, Spindle
10	700033	2	Pin, Cotter
11	700035	2	Cap, Dust
12	804073	2	Wheel & Tire, Includes Items 13 thru 14
13	804120	2	Wheel
14	804114	2	Tire, 26.5 x 14
15	300037	10	Bolt, Lug
16	NSS	1	Frame Weldment
17	806183	1	Hopper Weldment
18	814025	1	Cover, Belt
19	503050	1	Canister, Owners Manual
20	001029	3	Washer, Flat, 1/4"
21	000182	3	Bolt, Hex Head, 1/4"-20UNC x 1" Long
22	003001	3	Nut, Hex, Nylon Lock, 1/4"-20UNC
23	507019	1	Jack, Includes Item 24
24	507020	1	Pin
25	800556	1	Holder, Hose
26	000972	4	Nut, Hex, Nylon Lock, 5/8"-11UNC
27	507017	1	Hitch, 2 Bolt
28	000500	1	Bolt, Hex Head, 5/8"-11UNC x 4-1/2" Long
29	300313	1	Plate, Serial Number
			NSS-Not Sold Separately

ILLUSTRATED PARTS BREAKDOWN

Figure 3-2. Frame, Drawbar and Related Parts - Engine Units



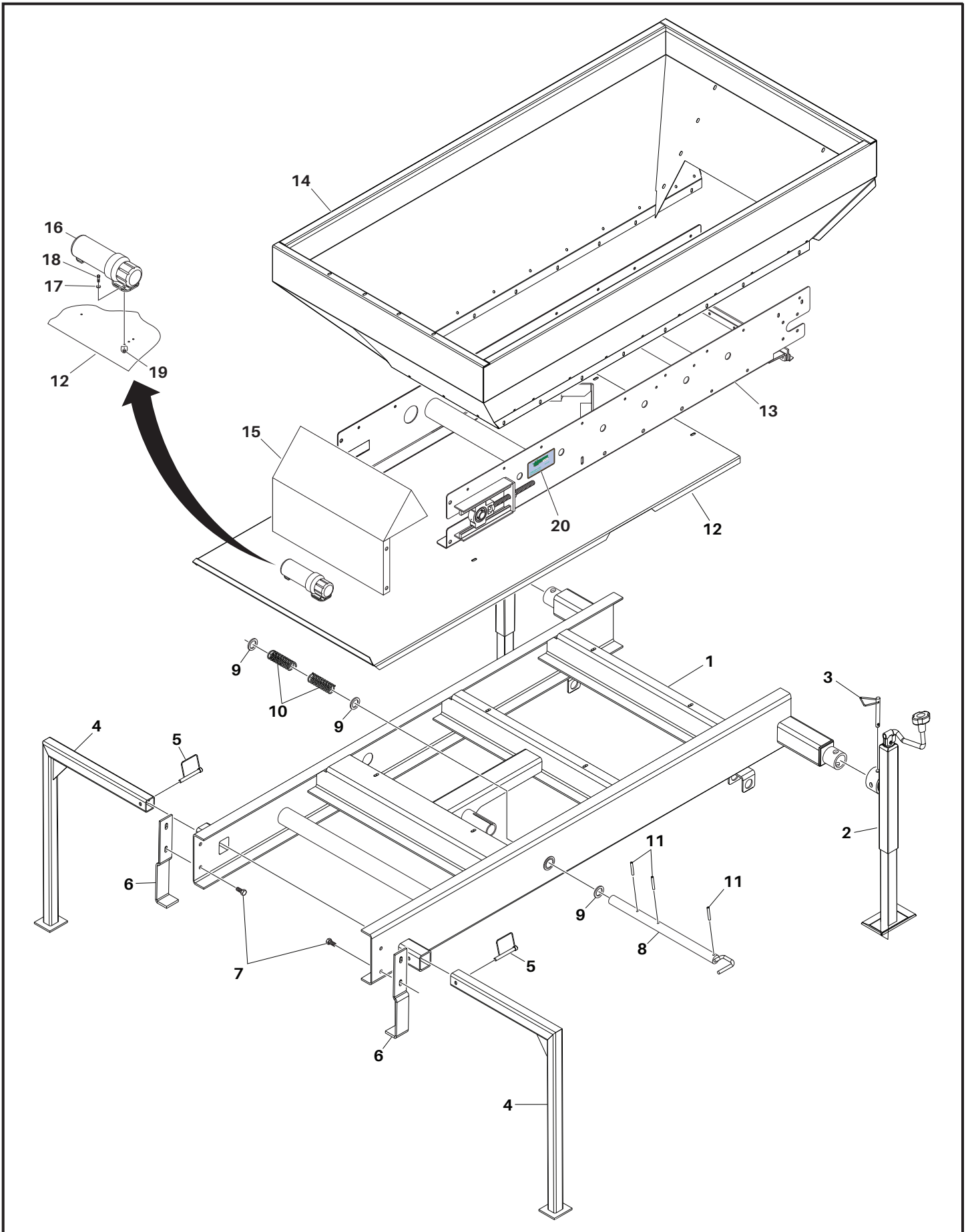
ILLUSTRATED PARTS BREAKDOWN

Figure 3-2. Frame, Drawbar and Related Parts - Engine Units

Item	Part No.	Qty	Description
1	NSS	1	Drawbar Weldment
2	700027	2	Hub Assembly, Includes Items 3 thru 11
3	NSS	2	Race, Inner, LM67010
4	NSS	2	Race, Outer, LM11910
5	700142	2	Bearing, Inner, LM67048
6	700030	2	Seal, Grease Inner
7	700028	2	Bearing, Outer, LM11949
8	700032	2	Washer, Spindle
9	700034	2	Nut, Castle, Spindle
10	700033	2	Pin, Cotter
11	700035	2	Cap, Dust
12	804073	2	Wheel & Tire, Includes Items 13 thru 14
13	804120	2	Wheel
14	804114	2	Tire, 26.5 x 14
15	300037	10	Bolt, Lug
16	NSS	1	Frame Weldment
17	806183	1	Hopper Weldment
18	503050	1	Canister, Owners Manual
19	001029	3	Washer, Flat, 1/4"
20	000182	3	Bolt, Hex Head, 1/4"-20UNC x 1" Long
21	003001	3	Nut, Hex, Nylon Lock, 1/4"-20UNC
22	507019	1	Jack, Includes Item 23
23	507020	1	Pin
24	507017	1	Hitch, 2 Bolt
25	000500	1	Bolt, Hex Head, 5/8"-11UNC x 4-1/2" Long
26	000972	2	Nut, Hex, Nylon Lock, 5/8"-11UNC
27	300313	1	Plate, Serial Number
			NSS-Not Sold Separately

ILLUSTRATED PARTS BREAKDOWN

Figure 3-3. Frame, and Related Parts - John Deere UVM Units



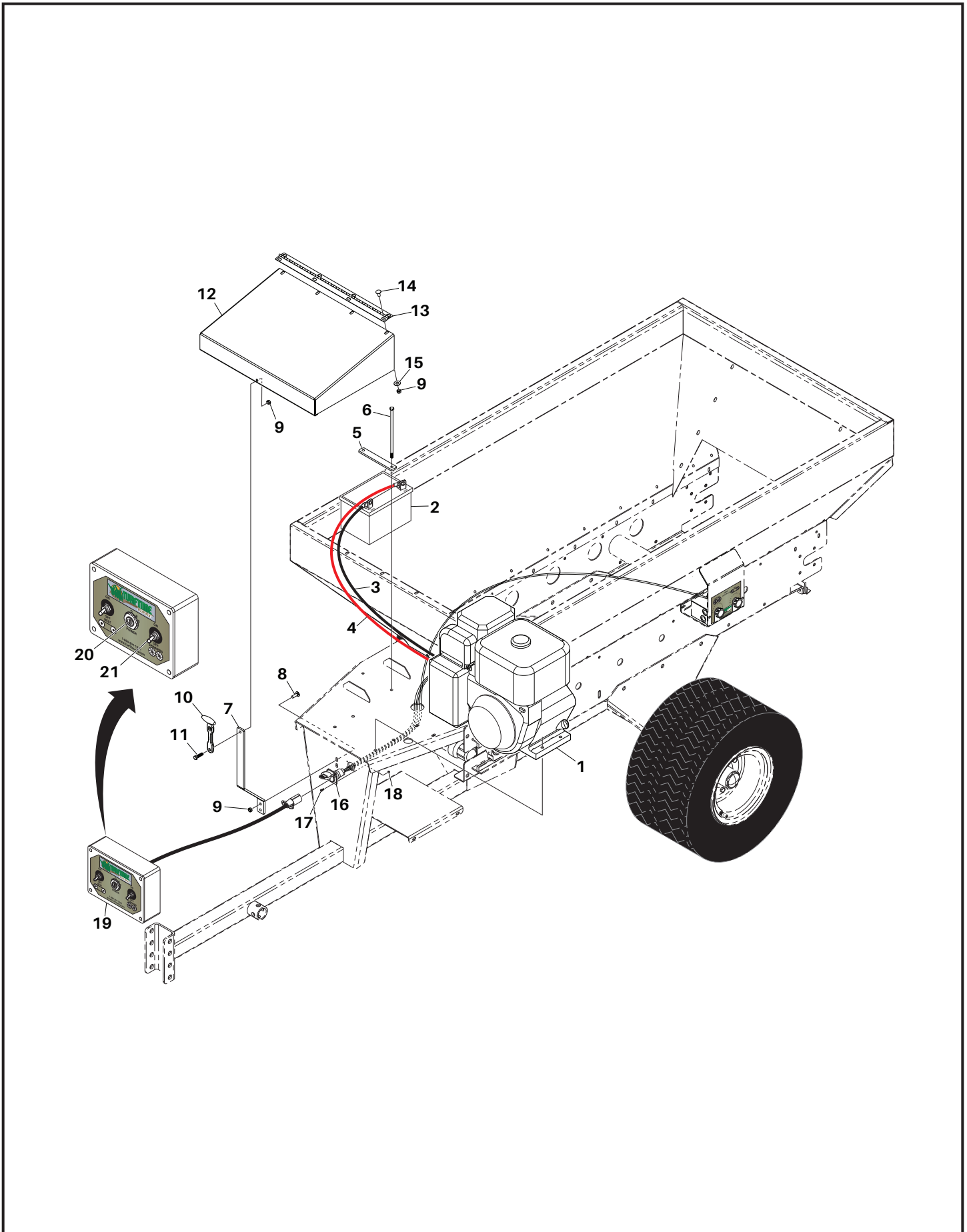
ILLUSTRATED PARTS BREAKDOWN

Figure 3-3. Frame, and Related Parts - John Deere UVM Units

Item	Part No.	Qty	Description
1	814014	1	Chassis Weldment
2	824037	2	Jack Assembly, Includes Item 3
3	507020	2	Pin
4	824036	2	Stand Weldment, Front
5	507175	2	Pin, Lynch, Square
6	814027	2	Bracket, Hold Down
7	000270	4	Bolt, Hex Head, 3/8"-16UNC x 1" Long
8	824097	1	Handle Weldment, Cylinder
9	300133	3	Bushing, 1" Dia. x 1-1/2" Long
10	814030	2	Spring, Cylinder Latch
11	000565	3	Pin, Roller, 1/4"
12	814000	1	Cover, Engine
13	NSS	1	Frame Weldment
14	806183	1	Hopper Weldment
15	814025	1	Cover, Belt
16	503050		Canister, Owners Manual
17	001029	3	Washer, Flat, 1/4"
18	000182	3	Bolt, Hex Head, 1/4"-20UNC x 1" Long
19	003001	3	Nut, Hex, Nylon Lock, 1/4"-20UNC
20	300313	1	Plate, Serial Number
			NSS-Not Sold Separately

ILLUSTRATED PARTS BREAKDOWN

Figure 3-4. Engine, Remote Control and Related Parts



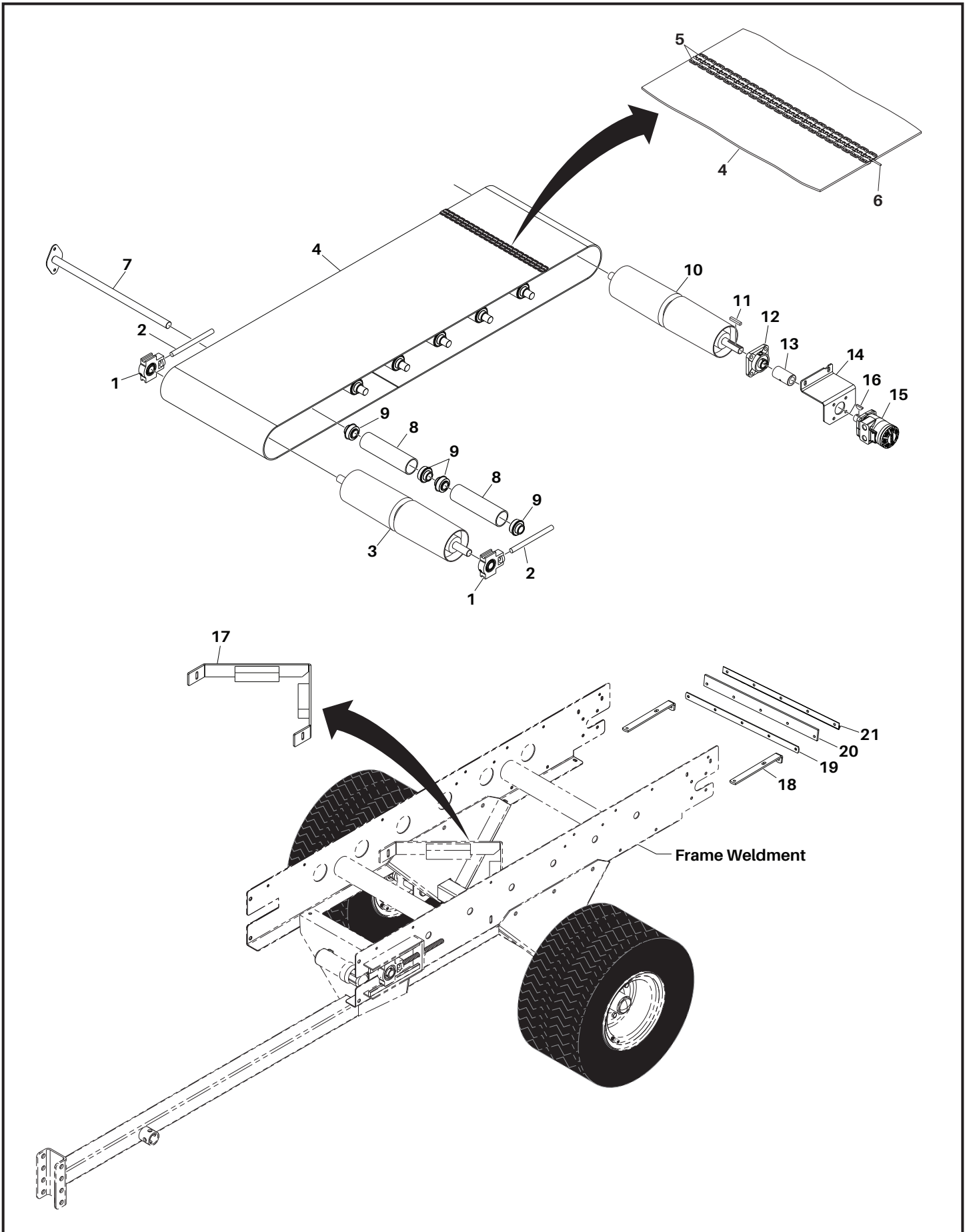
ILLUSTRATED PARTS BREAKDOWN

Figure 3-4. Engine, Remote Control and Related Parts

Item	Part No.	Qty	Description
1	806162	1	Engine, 13HP
2	806129	1	Battery
3	804071	1	Cable, Negative
4	804072	1	Cable, Positive
5	806043	1	Plate, Battery Hold Down
6	000156	2	Bolt, Hex Head, 5/16"-18UNC x 7" Long
7	806051	1	Holder, Latch
8	000124	2	Bolt, Carriage, 5/16"-18UNC x 1" Long
9	002999	10	Nut, Hex, Nylon Lock 5/16"-18UNC
10	400092	1	Latch, Rubber
11	000230	1	Bolt, Hex Head, 5/16"-18UNC x 1-1/4" Long
12	806187	1	Cover, Engine
13	806159	1	Hinge
14	000121	8	Bolt, Carriage, 5/16"-18UNC x 3/4" Long
15	001030	8	Washer, Flat, 5/16"
16	100548	1	Socket, Electrical
17	000182	4	Bolt, Hex Head, 1/4"-20UNC x 1" Long
18	003001	4	Nut, Nylon Lock, 1/4"-20UNC
19	830350	1	Control Panel, Includes Items 20 & 21
20	800998	1	Switch, Ignition
21	830353	2	Switch, On/Off

ILLUSTRATED PARTS BREAKDOWN

Figure 3-5. Rollers, Bearing, Belt and Related Parts



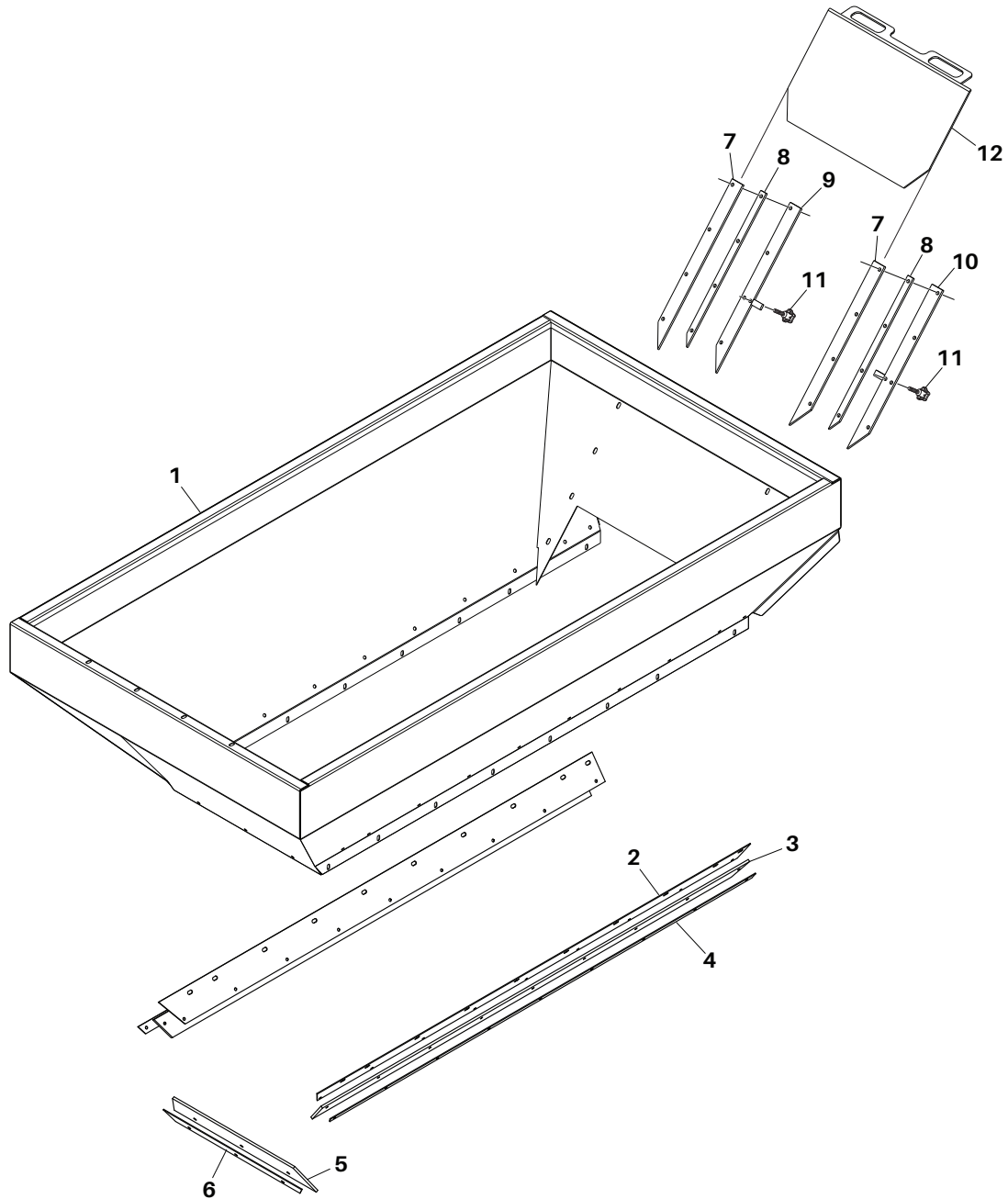
ILLUSTRATED PARTS BREAKDOWN

Figure 3-5. Rollers, Bearing, Belt and Related Parts

Item	Part No.	Qty	Description
1	806106	2	Bearing
2	806101	6	Shaft, Idler
3	806091	1	Pulley, Tail
4	800042	1	Belt, Smooth Apron, Includes Items 5 & 6
	800040	1	Belt, Cleated Apron, Includes Items 5 & 6
5	NSS	1	Lace. Belt
6	NSS	1	Pin, Belt Lace
7	806139	1	Shaft, Adjustment
8	806046	12	Roller, Idler
9	806102	24	Bearing, Insert
10	806090	1	Pulley, Apron
11	400115	1	Key
12	700053	2	Bearing, Flange
13	400113	1	Coupler
14	806033	1	Bracket, Motor
15	800111	1	Motor, Hydraulic, Includes Item 16
16	900863	1	Key, Woodruff
17	806132	1	Scraper, Belt
18	806040	2	Support, Scraper
19	806037	1	Clamp, Strip
20	806038	1	Scraper, Rubber, Rear Belt
21	805009	1	Deflector, Belt Scraper
NS			Tube, Silicone, for Belt Lacing, Items 5 & 6 NS-Not Shown NSS-Not Sold Separately

ILLUSTRATED PARTS BREAKDOWN

Figure 3-6. Hopper, Gate, Skirtboard and Related Parts



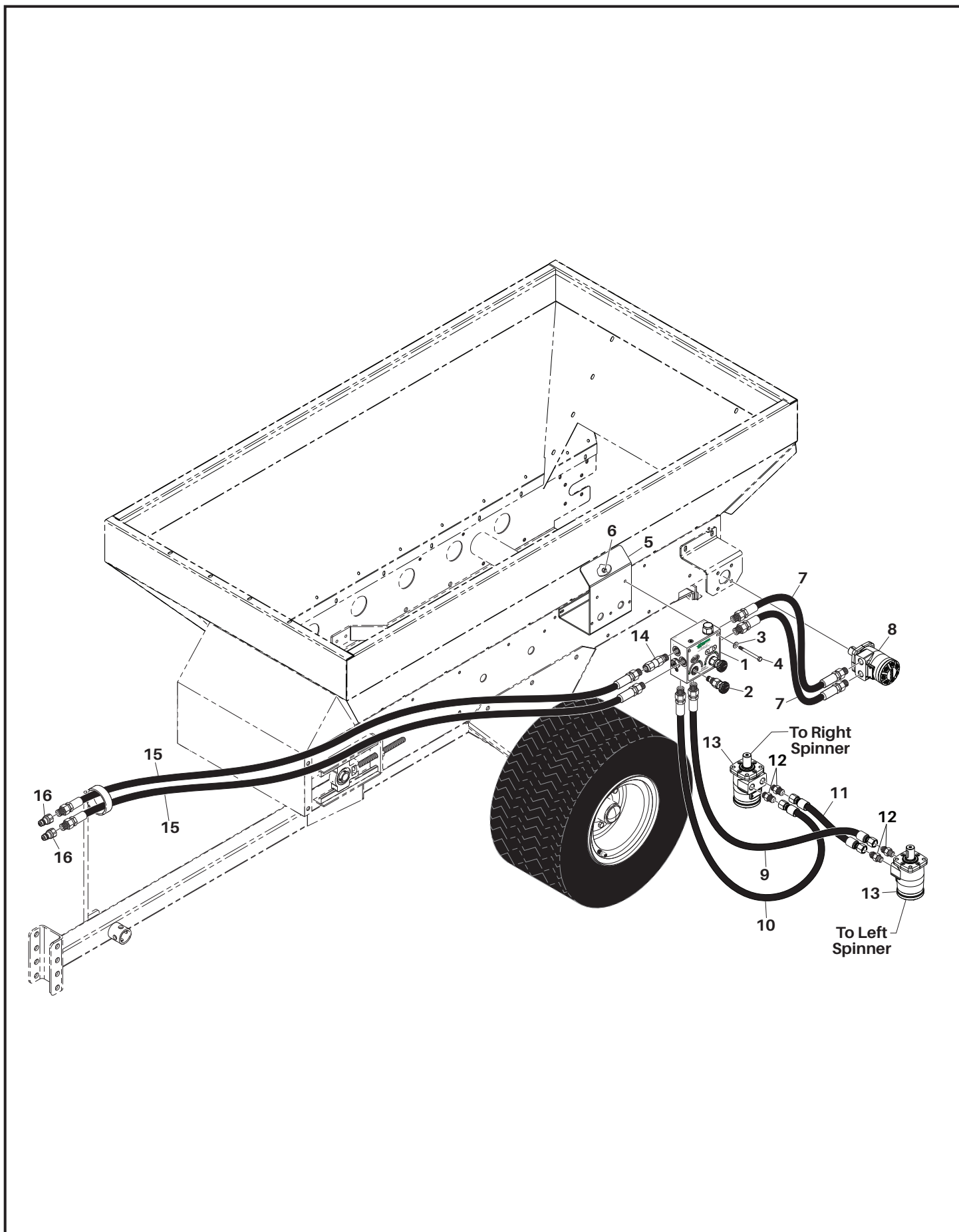
ILLUSTRATED PARTS BREAKDOWN

Figure 3-6. Hopper, Gate, Skirtboard and Related Parts

Item	Part No.	Qty	Description
1	806183	1	Hopper Weldment
2	806177	2	Skirtboard
3	806178	2	Strip, Rubber, 3-1/2" x 62" Long
4	806179	2	Clamp, Rubber
5	806190	1	Strip, Front, Rubber, 3-1/2" x 20" Long
6	806189	1	Clamp, Front, Rubber
7	806195	2	Track, Endgate
8	806194	2	Shim, Endgate
9	806191	1	Track, Endgate, Right Side
10	806192	1	Track, Endgate, Left Side
11	804067	2	Knob, 3/8"-16UNC x 1" Long
12	806182	1	Door, Endgate

ILLUSTRATED PARTS BREAKDOWN

Figure 3-7. Hydraulics and Related Parts for Tractor Units



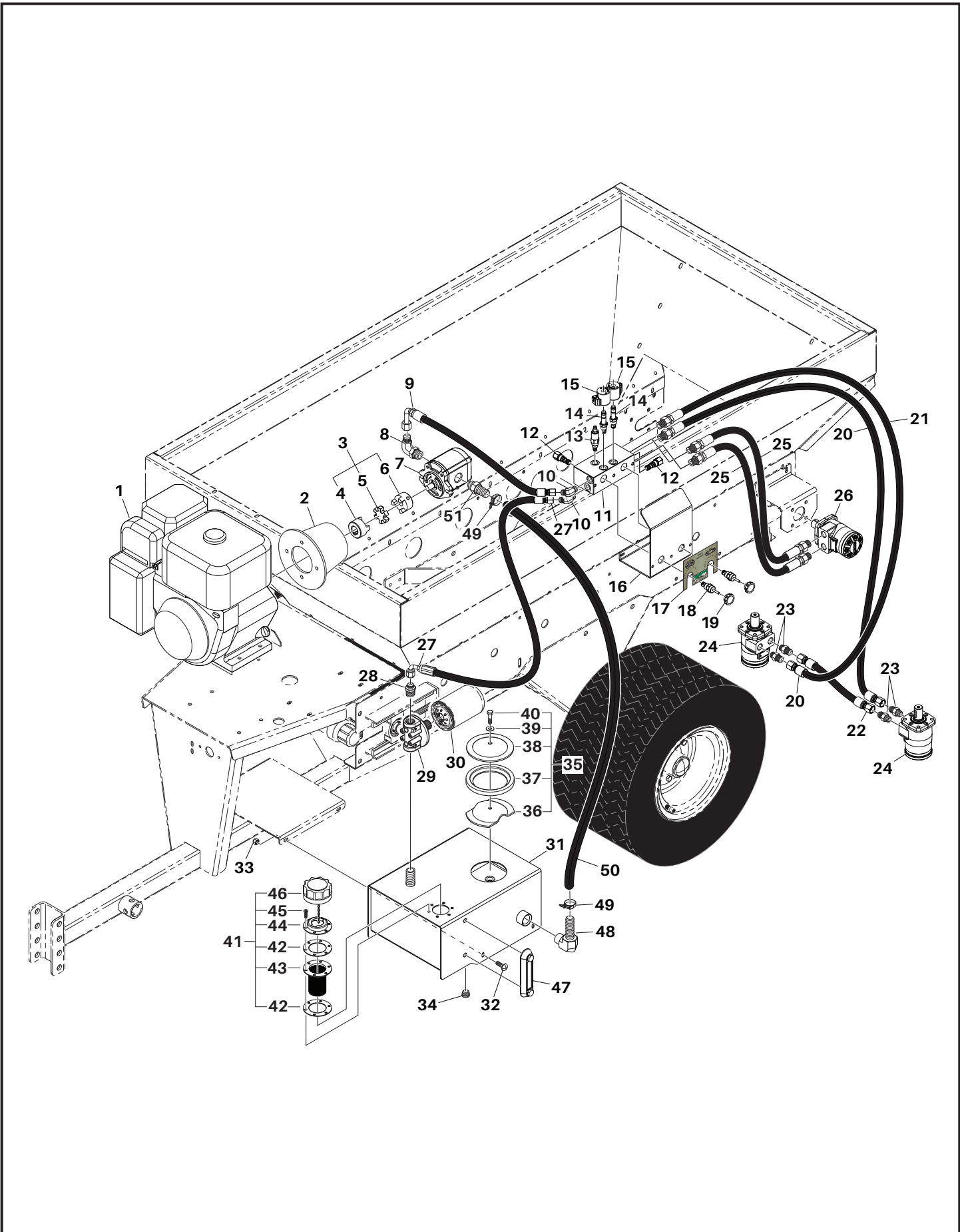
ILLUSTRATED PARTS BREAKDOWN

Figure 3-7. Hydraulics and Related Parts for Tractor Units

Item	Part No.	Qty	Description
1	300200	1	Manifold Assembly, Includes Item 2
2	806136	2	Valve, Flow Control
3	001030	2	Washer, Flat, 5/16"
4	000232	2	Bolt, Hex Head, 5/16"-18UNC x 3-3/4" Long
5	806133	1	Bracket, Manifold
6	002999	2	Nut, Hex, Nylon Lock, 5/16"-18UNC
7	300105	2	Hose Assembly, 1/2" Dia. x 15" Long
8	800111	1	Motor, Hydraulic, Belt Drive
9	300104	1	Hose Assembly, 1/2" Dia. x 39" Long
10	300103	1	Hose Assembly, 1/2" Dia. x 44" Long
11	806243	1	Hose Assembly, 1/2" Dia. x 20-1/2" Long
12	900190	4	Fitting, Straight
13	800034	2	Motor, Hydraulic, Spinner
14	300100	1	Valve, Check
15	300101	2	Hose Assembly, 1/2" Dia. x 96" Long
16	290105	4	Fitting, Quick Disconnect, Male

ILLUSTRATED PARTS BREAKDOWN

Figure 3-8. Hydraulics and Related Parts for Engine Units



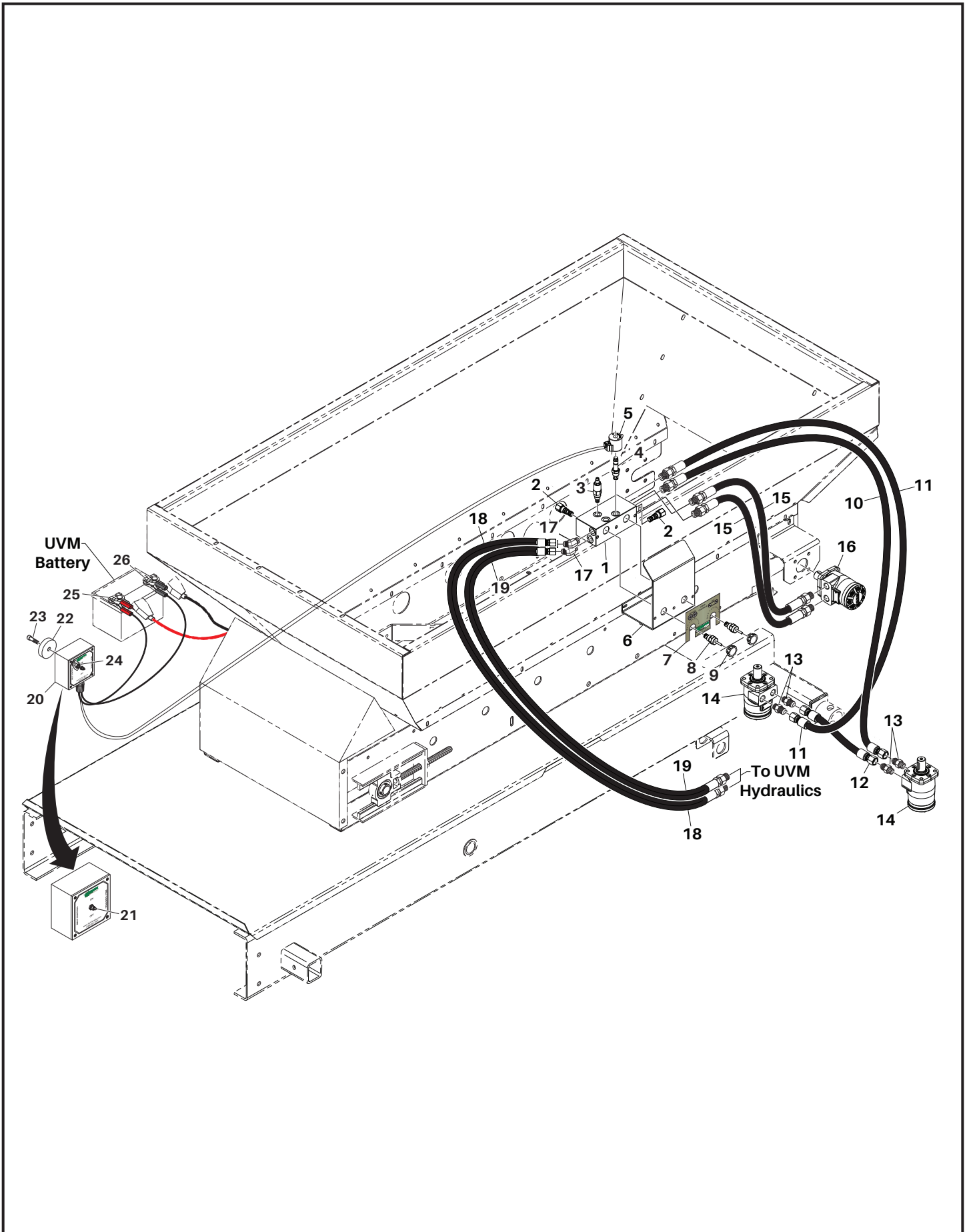
ILLUSTRATED PARTS BREAKDOWN

Figure 3-8. Hydraulics and Related Parts for Engine Units

Item	Part No.	Qty	Description
1	806162	1	Engine, 13HP
2	806077	1	Adapter
3	806079	1	Coupling Assembly, Includes Items 4 thru 6
4	806114	1	Coupling, 1"
5	806115	1	Spider, Rubber
6	806113	1	Coupling, 5/8"
7	806080	1	Pump Assembly, Hydraulic
8	290050	1	Fitting, Elbow
9	806245	1	Hose Assembly, 48" Long
10	290160	2	Fitting, Elbow
11	806076	1	Manifold Assembly
12	806140	2	Valve, Directional
13	806135	1	Valve, Relief
14	806141	2	Valve
15	830325	2	Coil, Valve
16	806133	1	Bracket, Manifold
17	300306	1	Decal, Controls Panel
18	806136	2	Valve, Flow Control
19	806143	2	Knob, Control
20	806244	1	Hose Assembly, 1/2" Dia. x 39" Long
21	806242	1	Hose Assembly, 1/2" Dia. x 44" Long
22	806243	1	Hose Assembly, 1/2" Dia. x 20-1/2" Long
23	900190	4	Fitting, Straight
24	800034	2	Motor, Hydraulic, Spinner
25	806249	2	Hose Assembly, 1/2" Dia. x 15" Long
26	800111	1	Motor, Hydraulic, Belt Drive
27	806246	1	Hose Assembly, 53" Long
28	290137	1	Fitting, Straight
29	290131	1	Head, Filter
30	290135	1	Filter, Oil
31	806100	1	Reservoir, Hydraulic
32	000121	2	Bolt, Carriage, 5/16"-18UNC x 3/4" Long
33	002999	2	Nut, Hex, Nylon Lock, 5/16"-18UNC
34	290025	1	Plug, Pipe, Hex
35	290044K	1	Door, Access, Includes Items 36 thru 40
36	290042	1	Plate, Door
37	290043	1	Gasket, Door
38	290044	1	Cover, Door
39	001035	1	Washer, Flat, 3/8"
40	000275	1	Bolt, Hex Head, 3/8"-16UNC x 1-1/4" Long
41	290142	1	Fill Assembly, Includes Items 42 thru 46
42	290130	2	Gasket
43	290129	1	Basket
44	NSS	1	Flange
45	NSS	1	Screw, Pan Head, Phillips, #10-32UNC x 1/2" Long
46	290142	1	Cap
47	290054	1	Gauge, Sight
48	290128	1	Fitting, Elbow
49	290124	2	Clamp
50	806247	1	Hose, Suction
51	290136	1	Fitting, Straight

ILLUSTRATED PARTS BREAKDOWN

Figure 3-9. Hydraulics and Related Parts for UVM Units



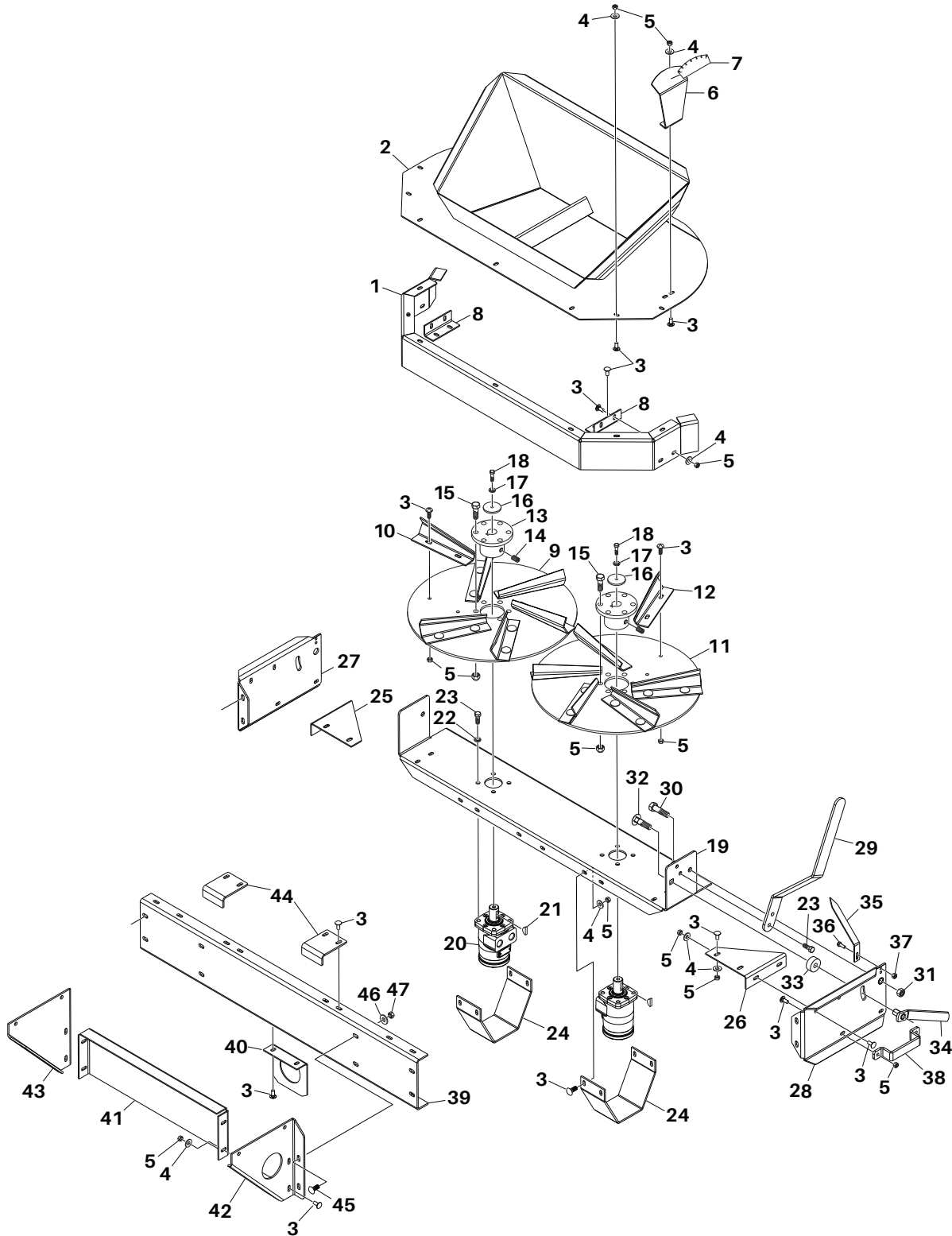
ILLUSTRATED PARTS BREAKDOWN

Figure 3-9. Hydraulics and Related Parts for UVM Units

Item	Part No.	Qty	Description
1	806076	1	Manifold Assembly
2	806140	2	Valve, Directional
3	806135	1	Valve, Relief
4	806141	2	Valve
5	830325	2	Coil, Valve
6	806133	1	Bracket, Manifold
7	300306	1	Decal, Control Panel
8	806136	2	Valve, Flow Control
9	806143	2	Knob, Control
10	806244	1	Hose Assembly, 1/2" Dia. x 39" Long
11	806242	1	Hose Assembly, 1/2" Dia. x 44" Long
12	806243	1	Hose Assembly, 1/2" Dia. x 20-1/2" Long
13	900190	4	Fitting, Straight
14	800034	2	Motor, Hydraulic, Spinner
15	806249	2	Hose Assembly, 1/2" Dia. x 15" Long
16	800111	1	Motor, Hydraulic, Belt Drive
17	290160	2	Fitting, Elbow
18	300110	1	Hose Assembly, 64" Long, Pressure
19	300111	1	Hose Assembly, 64" Long, Return
20	800100	1	Box, Optional Switch, Belt Control, Includes Item 21
21	830353	1	Switch, On/Off
22	800103	1	Magnet
23	800104	1	Screw, Socket Head, #12-24UNC x 3/4" Long
24	800105	1	Nut, Hex, Nylon Lock, #12-24UNC
25	800106	1	Clamp, Positive
26	800107	1	Clamp, Negative

ILLUSTRATED PARTS BREAKDOWN

Figure 3-10. Spinners and Related Parts



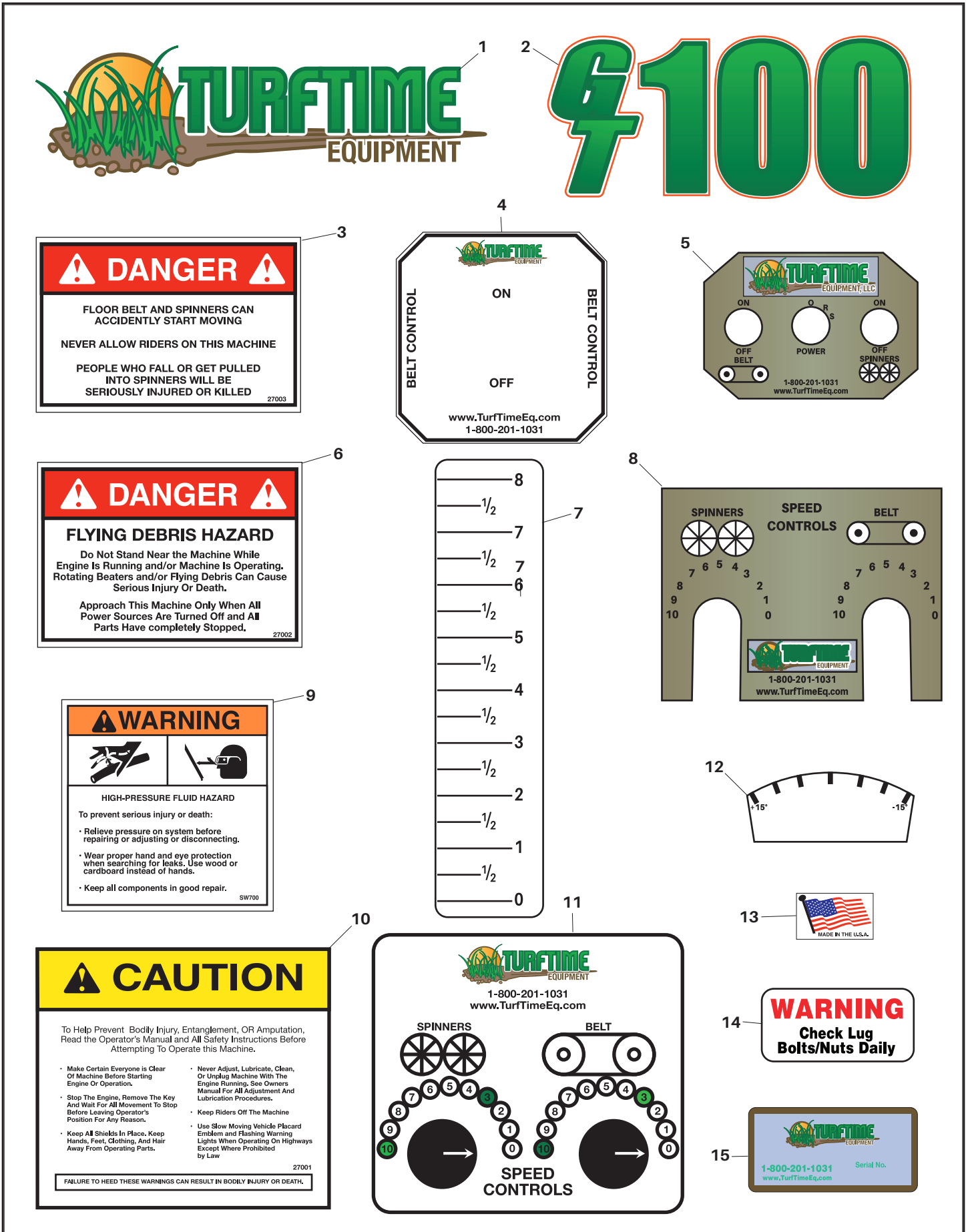
ILLUSTRATED PARTS BREAKDOWN

Figure 3-10. Spinners and Related Parts

Item	Part No.	Qty	Description
1	806066	1	Deflector
2	806160	1	Hopper
3	000121	AR	Bolt, Carriage, 5/16"-18UNC x 3/4" Long
4	001030	AR	Washer, Flat, 5/16"
5	000910	AR	Nut, Hex, Nylon Lock, 5/16"-18UNC
6	806059	1	Gauge, Pitch
7	300310	1	Decal, Gauge
8	806073	2	Bracket, Deflector
9	804047	1	Plate, Right Spinner
10	800117	6	Paddle, Right Spinner
11	804066	1	Plate, Left Spinner
12	800118	6	Paddle, Left Spinner
13	800583	2	Hub, Spinner, Includes Item 14
14	801399	4	Screw, Set, 3/8"-16UNC x 1/2" Long
15	000221	12	Bolt, Hex Head, 5/16"-18UNC x 1" Long
16	800236	2	Cap, Hub Spinner
17	000805	2	Washer, Lock, 1/4"
18	000182	2	Bolt, Hex Head, 1/4"-20UNC x 1" Long
19	806070	1	Base, Spinner Tilt
20	800034	2	Motor, Hydraulic Includes Item 21
21	900863	2	Key, Woodruff
22	000820	AR	Washer, Lock, 3/8"
23	000270	AR	Bolt, Hex Head, 3/8"-16UNC x 1" Long
24	806067	2	Guard, Motor
25	806068	1	Gusset, Right
26	806069	1	Gusset, Left
27	806125	1	Pivot, Right Spinner
28	806055	1	Pivot, Left Spinner
29	806036	1	Handle, Pitch
30	000452	AR	Bolt, Hex Head, 1/2"-13UNC x 2" Long
31	000940	AR	Nut, Hex, Nylon Lock, 1/2"-13UNC
32	000454	AR	Bolt, Carriage, 1/2"-13UNC x 2" Long
33	806124	1	Spacer, UHMW
34	806157	1	Handle, Tightener
35	806060	1	Indicator, Pitch
36	000175	AR	Bolt, Hex Head, 1/4"-20UNC x 3/4" Long
37	000900	AR	Nut, Hex, Nylon Lock, 1/4"-20UNC
38	806064	1	Handle
39	806058	1	Plate, Mounting
40	806072	1	Bracket, Hose
41	806057	1	Brace, Spinner Mount
42	806071	1	Mount, Left Attachment
43	806061	1	Mount, Right Attachment
44	806063	2	Bracket
45	000125	AR	Bolt, Carriage, 3/8"-16UNC x 1" Long
46	001035	AR	Washer, Flat, 3/8"
47	000915	AR	Nut, Hex, Nylon Lock, 3/8"-16UNC
			AR-AS Required

ILLUSTRATED PARTS BREAKDOWN

Figure 3-11. Decals



ILLUSTRATED PARTS BREAKDOWN

Figure 3-11. Decals

Item	Part No.	Qty	Description
1	300301	3	Decal, Logo TurfTime Equipment
2	300302	2	Decal, Model GT100
3	300303	2	Decal, Danger Belt and Spinners Start
4	300304	1	Decal, Control Panel UVM Unit
5	300314	1	Decal, Remote Engine Controls, Engine Unit
6	300305	2	Decal, Danger Flying Debris
7	300315	1	Decal, Scale
8	300306	1	Decal, Control Panel
9	300307	1	Decal, Warning, High Pressure Fluid
10	300308	1	Decal, Caution Prevent Bodily Injury
11	300309	1	Decal, Control Panel Tractor Unit
12	300310	1	Decal, Gauge
13	300311	2	Decal, Made in USA
14	300312	2	Decal, Warning Check Lug Bolts
15	300313	1	Plate, Serial Number

For future use



*800 N. Railroad Avenue
New Holland PA 17557
Phone (800) 201-1031
E-mail: info@turftimeeq.com
<https://www.turftimeeq.com>*

Copyright 2024