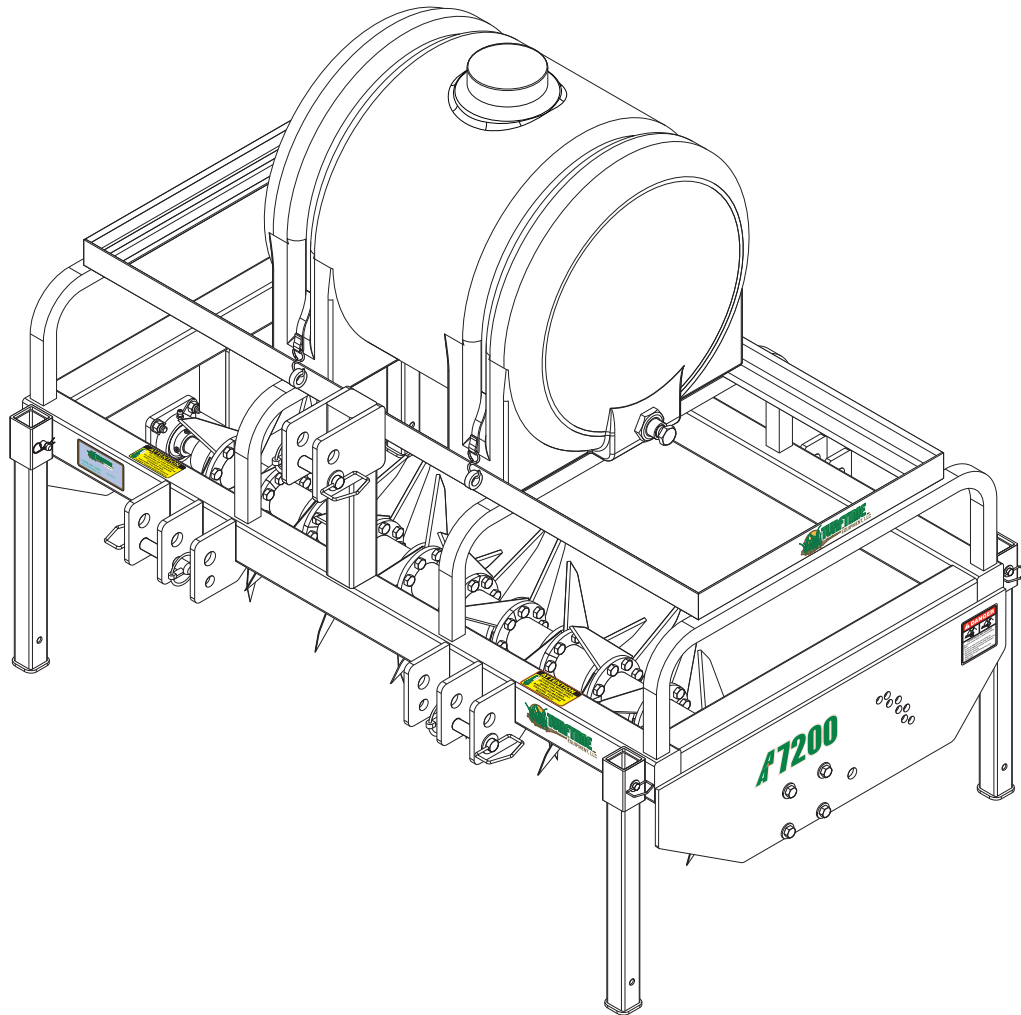




800 N. Railroad Avenue
New Holland PA 17557
Phone (800) 201-1031
<http://www.turftimeeq.com/>



Advantage Aerators

Owner's Manual

MODELS AA-6000 thru AA-10

DISCLAIMER

The information in this manual is provided to promote the safe use of and assist the operator in achieving the best performance from the products described when used for their intended applications.

TurfTime Equipment, LLC reserves the right to alter, correct, and/or improve the documentation and the products described within the documentation at its own discretion and without giving prior notice as far as this is reasonable to the owner of the products.

You are responsible to verify the suitability and intended use of any TurfTime Equipment, LLC products for your specific application. All information made available in the documentation is supplied without any accompanying guarantee.

This manual, including all illustrations contained herein, is copyright protected. Any changes to the contents or the publication of extracts of this document is prohibited. This manual is furnished to you by TurfTime Equipment LLC as a guide to get the greatest benefit from your product.

Before attempting to install or operate, carefully read all sections of this manual. Be sure that you thoroughly understand all of the safety information and operating procedures.

SAFETY PRECAUTION DEFINITIONS

Dangers, Warnings, Cautions, and Notes are strategically placed throughout this manual to further emphasize the importance of personal safety, qualifications of operating personnel, and proper use of the equipment in its intended application. These precautions supplement and/or complement the safety information decals installed on the equipment and include headings that are defined as follows:

DANGER

Indicates an imminently hazardous situation which, if not avoided, will result in death or serious injury.

WARNING

Indicates a potentially hazardous situation or practice which, if not avoided, could result in death or serious injury.

CAUTION

Indicates a potentially hazardous situation or practice which, if not avoided, will result in damage to equipment and/or minor injury.

NOTICE

Indicates an operating procedure, practice etc., or portion thereof, which is essential to high-light.

Always use caution and safe operating practices when operating this equipment.

Install all safety panels and guards before operating your equipment.

Stay clear of all moving parts when the machine is in operation.

Keep all people clear of the machine when it is running.

Read and comply with all safety recommendations of your tractor/skid steer manufacturer, as outlined in its operator and service manuals.

NOTE: Some equipment depicted in illustrations may not reflect exact production model configurations.

LIMITED WARRANTY STATEMENT

3-year Limited Warranty

TurfTime Equipment, LLC, (TTE) hereby warrants that TTE's products will be free from defects in material and workmanship under normal use according to the provisions and limitations herein set forth. All parts, specifically EXCLUDING expendable 'wear' parts, that become unserviceable, due to defective material or workmanship, within 3 YEARS of date of the original retail purchase, shall, at TTE's option, be repaired or replaced as detailed below.

If the equipment is used for rental purposes, warranty is limited to 90 days from the initial rental date.

Limitations

The obligations of TTE for breach of warranty shall be limited to products manufactured by TTE; (1) that are installed, operated, and maintained according to TTE's instruction furnished and/or available to the purchaser upon request; (2) that are installed according to all other applicable federal, state, and local codes or regulations; and (3) that the purchaser substantiates were defective in material and workmanship notwithstanding that they were properly installed and correctly maintained as set forth and were not abused or misused. The obligation of TTE shall be limited to replacing or repairing the defective product, at the option of TTE. TTE shall not be responsible for any labor or cost of removal or repairing or re-installation of its products and shall not be liable for transportation costs to and from its facility in New Holland, PA. Use of parts for modification or repair of the product or any component part thereof not authorized or manufactured by TTE specifically for such product shall void this warranty.

This warranty shall not apply to any damage to or defect in TTE's products that is directly or indirectly caused by; (1) FORCE MAJEURE, act of GOD, or other accident not related to an inherent product defect; or (2) abuse, misuse, or neglect of the such product, including any damage caused by improper assembly, installation, adjustment, or faulty instruction of the purchaser. Other than as expressly set forth herein above, TTE makes no other warranty, express or implied, with respect to any of TTE's products, included but not limited to any merchantability or fitness for a particular

purpose. In no event shall TTE be responsible for any incidental or consequential damages of any nature suffered by purchaser or any other person or entity caused in whole or in part by any of TTE's products.

Any person or entity to whom this warranty extends and who claims breach of warranty against TTE must bring suit thereon within 60 days from the date of occurrence of such breach of warranty or be forever barred from any and all legal or other remedies for such breach of warranty. TTE is not responsible for and hereby disclaims any undertaking, representation, or warranty made by any dealer, distributor, or other person that is inconsistent with or in any way more expensive than the provisions of this limited warranty. This warranty grants specific legal rights and shall be read in conformity with applicable state law. In some jurisdictions, the applicable law mandates warranty provisions that provide greater rights than those provided for herein. In such case, this limited warranty shall be read to include such mandates provisions; and any provision herein that is prohibited or unenforceable in any such jurisdiction shall, as to such jurisdiction, be ineffective to the extent of such prohibition or unenforceable without invalidating the remaining provisions and without affecting the validity or enforceability of such provisions in any other jurisdiction.

Statement of Policy

In accordance with our established policy of constant improvement, we reserve the right to amend these specifications at any time without notice.

Warranty by Manufacturer

Dealer/distributor understands and agrees that the manufacturer extends only the following warranty to its customers. In the event dealer/distributor extends any additional warranty such as enlarging the scope or period of warranty or undertaking a warranty of fitness for any particular purpose or obligation not encompassed in manufacturer's warranty, dealer/distributor shall be solely responsible therefore and shall have no recourse against manufacturer with respect thereto.

CONTENTS

Disclaimer.....	i
Safety Precaution Definitions.....	i
Limited Warranty Statement.....	ii
3-year Limited Warranty.....	ii
Limitations.....	ii
Statement of Policy.....	ii
Warranty by Manufacturer.....	ii
Figures.....	iv
Safety.....	1
Assembly.....	1
Inspection.....	1
Warranty.....	1
SETUP AND OPERATION.....	1
Setup.....	2
3-Point Connection.....	2
Drawbar.....	2
Gauge Wheels.....	2
Smooth roller.....	3
Before use.....	3
Drawbar connection.....	3
Operating Considerations.....	3
Hydraulic requirements.....	3
Operation.....	4
Weight.....	4
Operating speed.....	4
Parking stands.....	4
Lubrication.....	5
Recommended procedure.....	5
General.....	5
Wheels and tires.....	5
Hydraulic system.....	5
Wheel bearings.....	5
MAINTENANCE.....	5
Troubleshooting.....	6
Specifications.....	6
How to order repair parts.....	7

ILLUSTRATED PARTS BREAKDOWN.....	7
MAINTENANCE RECORDS.....	20

FIGURES

Figure 1-1. 3-point hitch connections	2
Figure 1-2. Drawbar attachment.....	2
Figure 1-3. Gauge wheel attachment.....	2
Figure 1-4. Roller adjustment.....	3
Figure 2-1. Wheel Hub Lubrication.....	5
Figure 2-2. Wheel Hub	5
Figure 3-1. Frame and Related Parts.....	11
Figure 3-2. Rotor, Tines and Related Parts.....	13
Figure 3-3. Optional Wheel Kit, Drawbar and Related Parts	15
Figure 3-4. Hydraulics Optional Wheel Kit and Related Parts.....	17
Figure 3-5. Optional Roller and Related Parts	19
Figure 3-6. Decals.....	21

SETUP AND OPERATION

SAFETY

While operating this equipment use common sense and follow all safety guidelines.

In addition to observing the specific precautions listed throughout this manual, the following general statements apply. These must be adhered to in order to insure proper and safe operation.

DANGER

Keep hands and feet from under the equipment at all times. Make sure that all people are safely clear of the equipment before operating.

In order to prevent serious injury and to promote safe operation, keep shields in place during operation, and insure that all mounting hardware is properly tightened.

WARNING

DO NOT attempt to operate the equipment in areas with steep inclines, ditches, large rocks, stumps, or holes that may upset the tractor, endangering the operator or damaging the equipment.

Never clean, adjust or repair the equipment while it or the tractor are running. Never attempt to pull material from any part of the equipment while it is running.

Never wear loose clothing while operating the equipment as it may become caught in the moving parts of the machine.

For safe operation of the equipment, periodically inspect all parts for excessive wear. Replace worn components with authorized parts.

Always raise the Advantage Aerator when turning the machine. Failure to do so may damage the tines and roller bearings.

To prevent the hitch from becoming disconnected during operation, always use the proper size hitch pin and safety cotter pin.

Be sure to use proper safety chains when towing equipment on a public roadway.

CAUTION

Most equipment accidents can be avoided by the observance of a few simple safety precautions.

Do not clean, lubricate or make any adjustments on the equipment while it is in motion.

Never allow the tank to freeze in the Advantage Aerators as severe equipment damage may result.

Do not start the machine until you know everyone is clear of the area and all tools have been stowed away.

Do not work around the unit in loose clothing that might catch on any of the moving parts.

Do not attempt to pull material from any part of the equipment while it is in operation.

Replace all shields after lubrication or repairs.

Do not allow anyone to ride on the equipment.

Park on level ground or block wheels to prevent the machine from rolling.

Always follow manufacturer's instructions for maintenance, repair and adjustments.

Read and pay close attention to hydraulic line safety.

WARNING

Never attempt to stop a leak by covering it with your hand as doing so can cause severe injury.

TurfTime Equipment LLC assumes no liability for injuries sustained because of failure to read this manual or due to carelessness. Always refer to this manual for guidance, or contact your local dealer.

ASSEMBLY

Inspection

While Advantage Aerators are shipped fully assembled, it is recommended that an inspection be made upon receipt and any damage or shortages be reported to the shipping company.

Warranty

Locate the warranty card in the literature packet and complete it. For proper warranty registration TurfTime requires that you fill out the warranty registration card and return it within 30 days.

SETUP AND OPERATION

Setup

The Advantage Aerator can be operated as a 3-point mount or pull-type configuration. In addition, gauge wheels, required for pull-type configurations and optional on 3-point mount configurations, may need to be installed.

3-Point Connection

Depending on the size of the Advantage Aerator, the 3-point hitch will be either Cat. 1 or 2. See specifications table for details.

To mount the aerator to the 3-point hitch of a tractor,

1. Position the tractor in front of the aerator.
2. Use the appropriate holes for the upper and lower attachment points on the aerator.
3. Install the proper size pins in the correct positions.

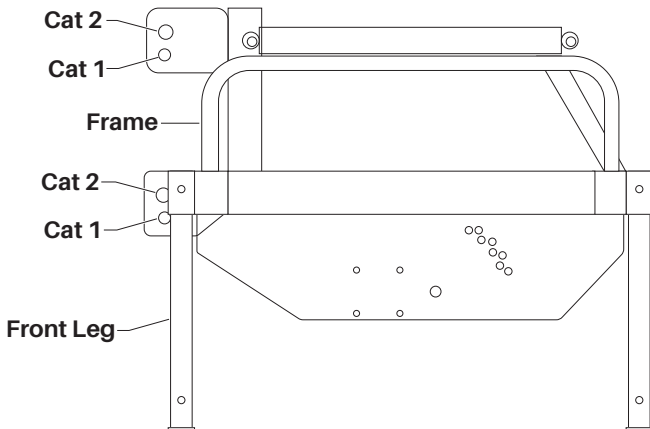


Figure 1-1. 3-point hitch connections

4. Secure all mounting pins with clevis pins.

Drawbar

The drawbar attaches to the 3-point hitch mounting points with the same mounting pins. An adjustable top link supports the drawbar.

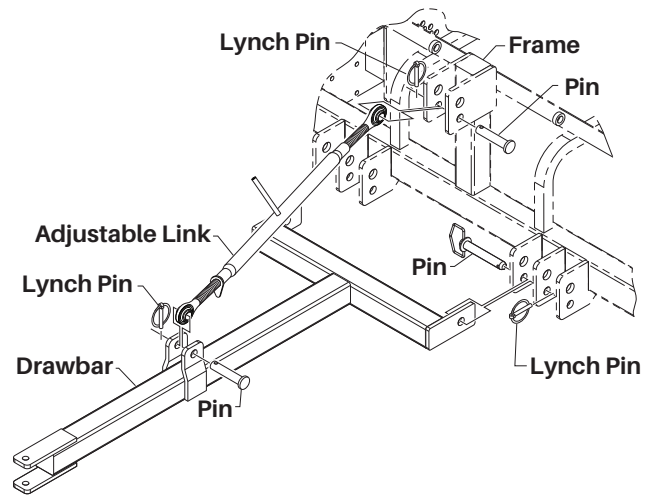


Figure 1-2. Drawbar attachment

Adjust the top link so the drawbar is level when the tines are resting on the ground.

Gauge Wheels

The gauge wheels attach to the rear frame of the aerator. The gauge wheel position is controlled via a hydraulic cylinder.

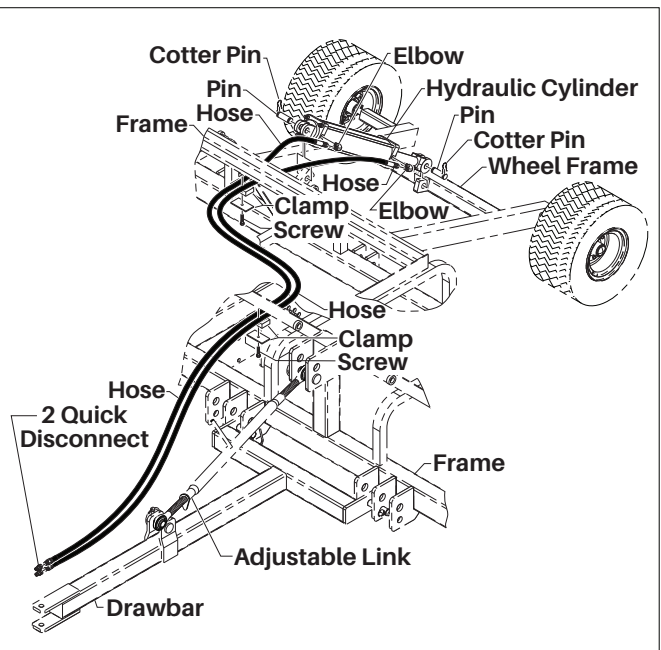


Figure 1-3. Gauge wheel attachment

When routing the hydraulic hoses from the cylinder to the tractor, ensure the hoses are securely positioned in the clamps.

SETUP AND OPERATION

Smooth roller

The optional smooth roller attaches under the Advantage Aerator frame behind the rotor. It can be easily removed, if an operation does not require it, by removing two pins on each side.

Position the roller assembly under the frame and secure it in place with the pivot pin on each side.

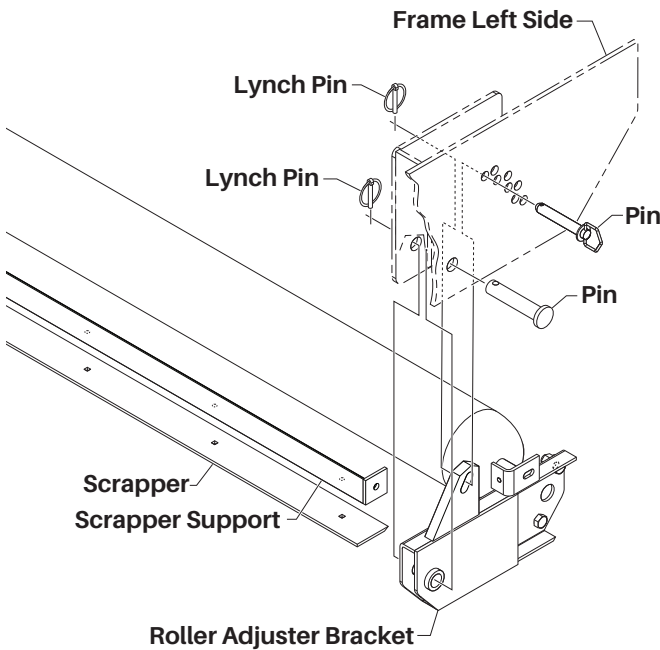


Figure 1-4. Roller adjustment

A second pin on each side sets the pressure supplied to the ground by the roller by adjusting the distance from the frame.

Before use

Before initial use, check the following:

Check for proper assembly and adjustment making sure all bolts are securely tightened. Re-tighten the bolts after 4 hours of operation.

Torque the wheel bolts to 120 lb-ft.

Check the tires and inflate them to the recommended pressure shown on the side wall of each tire.

Adjust the tractor hitch and attach the Advantage Aerators to the tractor as detailed in this manual.

Connect the hydraulic hoses to the tractor hydraulic ports, if required.

Lubricate the machine completely and check the oil level in the hydraulic reservoir, if applicable.

Do not operate the Advantage Aerators until after "Safety" on page 1 in this manual has been read and understood by the operator.

Review **“Figure 3-6. Decals” on page 19** and ensure that all the decals are legible on the Advantage Aerator. Read and understand each decal and understand what the dangers involved.

Drawbar connection

WARNING

Use only a 7/8" hitch pin of sufficient length to engage the upper and lower clevis of the drawbar.

Always use a clip to secure the hitch pin in the drawbar.

OPERATING CONSIDERATIONS

NOTICE

Not following these instructions may void the warranty.

Hydraulic requirements

If using the tow vehicle hydraulics, it must provide a minimum of 4 gpm flow at 1750 psi. Adjustable oil flow is recommended to limit the oil flow to less than 8 gpm. Oil flow outside of this range may result in hydraulic components overheating and insufficient operational quality.

NOTICE

Refer to the tow vehicle documentation for details on setting and maintaining the hydraulic flow and pressure recommendations.

WARNING

Hydraulic oil under pressure can penetrate the skin causing serious personal injury. Before applying pressure to the system, ensure that all lines and couplers are tight and not damaged.

Before disconnecting lines, be sure to relieve pressure in the system.

Always clean the hydraulic quick couplers on the tow vehicle and Advantage Aerator before connecting.

OPERATION

Weight

CAUTION

Never allow the tank to freeze in the Advantage Aerators as severe equipment damage may result.

Water tanks are installed on the frame to provide weight for the application. The additional weight provided by adding water is 8.3 lb. per gallon.

A full, 65-gallon tank provides about 540 additional pounds to the aerator.

Operating speed

While the ideal operating speed of the unit depends on the soil conditions and capability of the tractor, operating speeds can range from 3 to 8 mph.

Parking stands

A parking stand is located in each corner of the Advantage Aerator. When using the Advantage Aerator, all four stands must be up completely and secured in place with the provided hitch and cotter pins.

Before disconnecting from the tractor, remove the cotter and hitch pins to lower all four parking stands. Insert the hitch pins in the top holes and secure the parking stands.

MAINTENANCE

WARNING

Always stop the machine and turn off the power supply before servicing the machine.

LUBRICATION

The Advantage Aerators requires a minimum amount of lubrication. However, the importance of sufficient and proper lubrication cannot be overstated as it is the best insurance against unnecessary repairs and will greatly increase the life of the machine.

Recommended procedure

Use a high-quality, extreme pressure (EP) 2 lithium grease on all bearings. Examples of acceptable grease are Exxon Mobil Ronex MP and Lubriplate 1200-2.

Ensure grease fittings are free of pain and dirt. Grease should be forced into the fittings until it comes out around the shaft.

NOTICE

Do not over-lubricate sealed bearings. Apply one-half stroke or pump from a grease gun once per year.

Lubricate all roller bearings once per year.

Lubricate all belt-tightening bearings once per year.

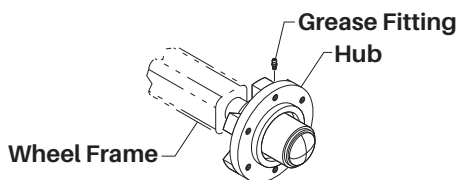


Figure 2-1. Wheel Hub Lubrication

GENERAL

CAUTION

Always replace shields after maintenance and before beginning operation.

Protect the machine from weather when it is not in use.

At the end of each season, check the Advantage Aerators carefully and replace all worn or damaged parts. Use only genuine TurfTime parts supplied by your authorized TurfTime dealer.

Wheels and tires

Once each month:

Check the lug bolt torque on each wheel. Bolts should be torqued to 120 lb-ft.

Check tires for cuts and damage.

Ensure tires are properly inflated.

Hydraulic system

Once per month:

Inspect the hydraulic hoses for flexibility and any sign of rubbing or cracking. Replace any hose where a defect is found.

Ensure the tow vehicle hydraulics are well maintained with clean oil. Follow the prescribed maintenance plan of the tow vehicle.

Wheel bearings

Wheel hub bearings must be adjusted after 100 loads or one year, whichever comes first.

To adjust the wheel hub torque:

1. Park the Advantage Aerators on a level place and chock the wheels to ensure that it will not roll or move.
2. Raise one side of the Advantage Aerators using a jack or appropriate lifting device.

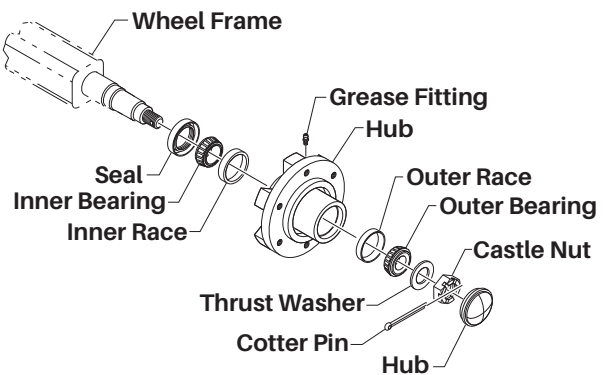


Figure 2-2. Wheel Hub

3. Remove the hub cap from the center of the hub.
4. Remove the cotter pin from the slotted nut and loosen the slotted nut (rotate it counterclockwise) a turn or two.

MAINTENANCE

5. While rotating the hub, use a torque wrench to torque the slotted nut to 35 lb-ft.
6. Rotate the slotted nut counterclockwise (back-off) just enough for a nut slot to align with the axle hole. Install the cotter pin through the slotted nut and axle. Do not back-off the slotted nut more than one-third turn.
7. Repeat steps 2 through 6 for the other side of the machine.

TROUBLESHOOTING		
Problem	Possible cause	Check
Hydraulic system doesn't have sufficient power to operate	Obstruction in hydraulic lines Oil overheated Hydraulic oil level too low	See hydraulic maintenance section Review hydraulic system requirements and ensure vehicle satisfies requirements Fill oil reservoir (vehicle or auxiliary engine hydraulic reservoir) to proper level

SPECIFICATIONS					
	AA-6000	AA-7200	AA-8400	AA-9600	AA-10
Working width, in.	48	60	72	84	108
Overall width, in.	60	72	84	96	120
3-point hitch	Cat. 1/2	Cat. 1/2	Cat 1/2	Cat. 2/3	Cat. 2/3
Weight, empty	650 lbs.	780 lbs.	910 lbs.	1,020 lbs.	1,300 lbs.
Number of water tanks	1	1	2	2	3
Gallons	65	65	55	55	55

Tine Options	
Standard Sport	3/8" Thick x 7-1/2" Long
Optional Fine	1/4" Thick x 6-1/4" Long
Optional Core Spoon	1 in. OD x 6" Long

ILLUSTRATED PARTS BREAKDOWN

Figure 3-1. Frame and Related Parts.....	10
Figure 3-2. Rotor, Tines and Related Parts.....	12
Figure 3-3. Optional Wheel Kit, Drawbar and Related Parts	14
Figure 3-4. Hydraulics Optional Wheel Kit and Related Parts.....	16
Figure 3-5. Optional Roller and Related Parts	18
Figure 3-6. Decals.....	20

HOW TO ORDER REPAIR PARTS

Each Advantage Aerators has its own model and serial number.

The serial number for the Advantage Aerators is located on the right front side of the frame see Figure 3-1.

Always mention the model and serial number when calling for service or when ordering repair parts.

All parts listed and illustrated in this manual may be ordered through your nearest authorized dealer. If parts you need are not available locally, your order will be processed through the factory and shipped promptly.

When ordering repair parts, have the following information ready:

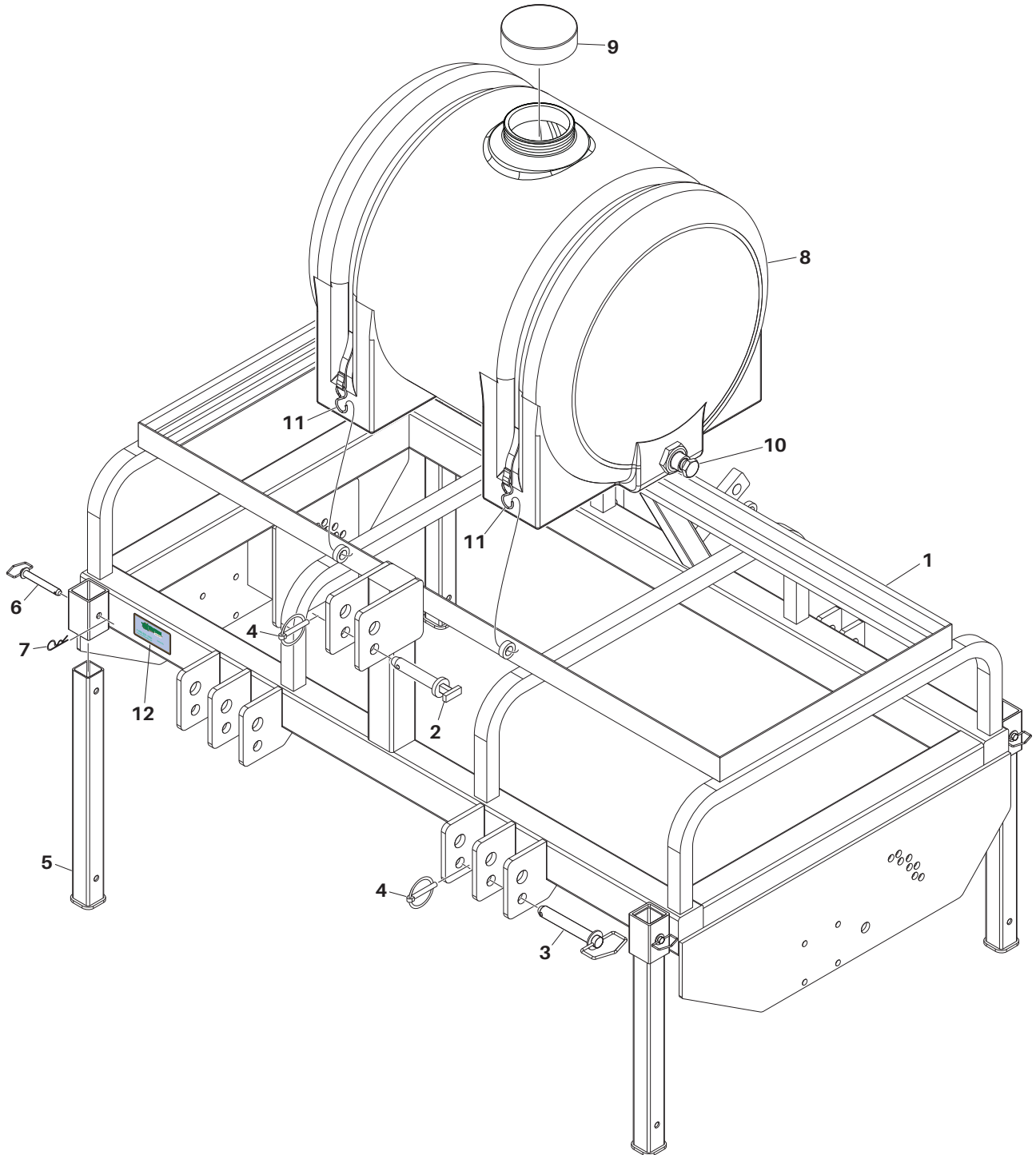
1. Item part number
2. Quantity needed
3. Part description
4. Advantage Aerators model and serial number

Be sure to record both the model and serial number of your Advantage Aerators upon delivery. Keep this information in a safe place for future reference.

TurfTime Equipment
800 N. Railroad Avenue
New Holland PA 17557
Phone (800) 201-1031

ILLUSTRATED PARTS BREAKDOWN

Figure 3-1. Frame and Related Parts



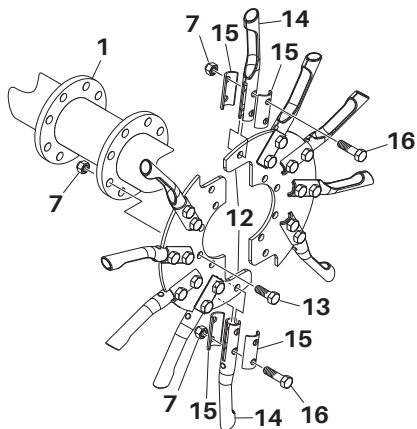
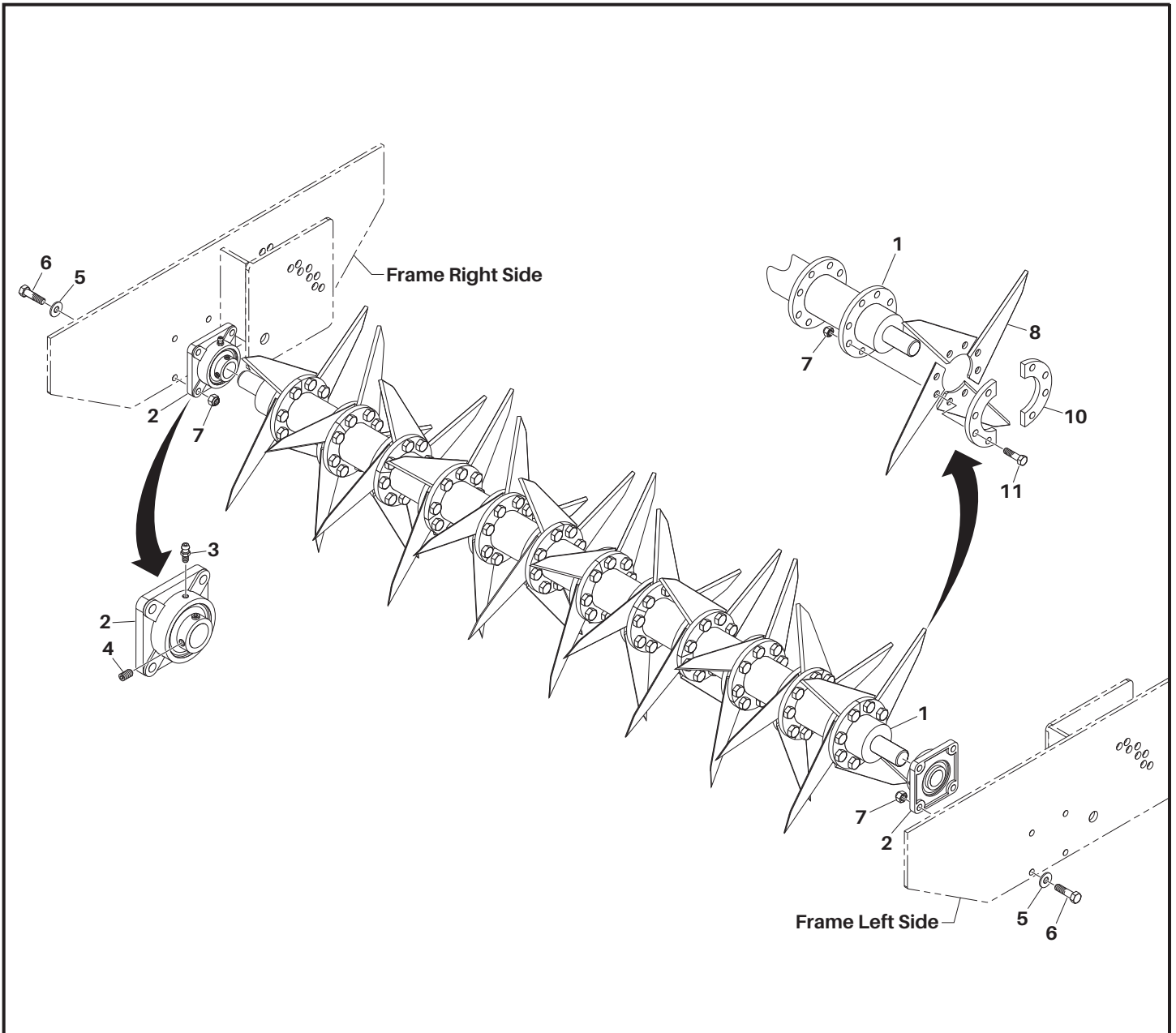
ILLUSTRATED PARTS BREAKDOWN

Figure 3-1. Frame and Related Parts

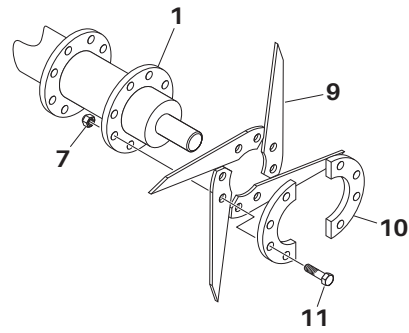
Item	Part No.	Qty	Description
1	226001	1	Frame Weldment, Model AA-6000
	226002	1	Frame Weldment, Model AA-7200
	226003	1	Frame Weldment, Model AA-8400
	226004	1	Frame Weldment, Model AA-9600
	226005	1	Frame Weldment, Model AA-10
2	AP34X512	1	Pin, Top Link, Cat I, 3/4" Dia. x 5-1/2" Long, Includes Item 4
	AP1X512	1	Pin, Top Link, Cat II, 1" Dia. x 5-1/2" Long, Includes Item 4
3	AP78X514	2	Pin, Lower Link, Cat I, 7/8" Dia. x 5-1/4" Long, Includes Item 4
	AP118X514	2	Pin, Lower Link, Cat II, 1-1/8" Dia. x 5-1/4" Long, Includes Item 4
4	LP516	AR	Pin, Lynch, 5/16" Dia.
5	226006	4	Leg
6	AP12X5	4	Pin, 1/2" Dia. x 5" Long
7	CHP18	4	Cotter, Hairpin, 1/8" Dia.
8	226007	1	Tank Assembly, 65 Gallon, Includes Item 9 & 10, Model AA-6000 & AA-7200
	226008	2	Tank Assembly, 65 Gallon, Includes Item 9 & 10, Model AA-8400 & AA-9600
	226008	3	Tank Assembly, 55 Gallon, Includes Item 9 & 10, Model AA-10
9	226009	AR	Cap
10	226012	AR	Plug, Drain
11	226010	AR	Strap, Ratchet Tie Down
12	226011	1	Plate, Serial Number
			AR-AS Required

ILLUSTRATED PARTS BREAKDOWN

Figure 3-2. Rotor, Tines and Related Parts



Optional Coring Tine



Optional Fine Tine

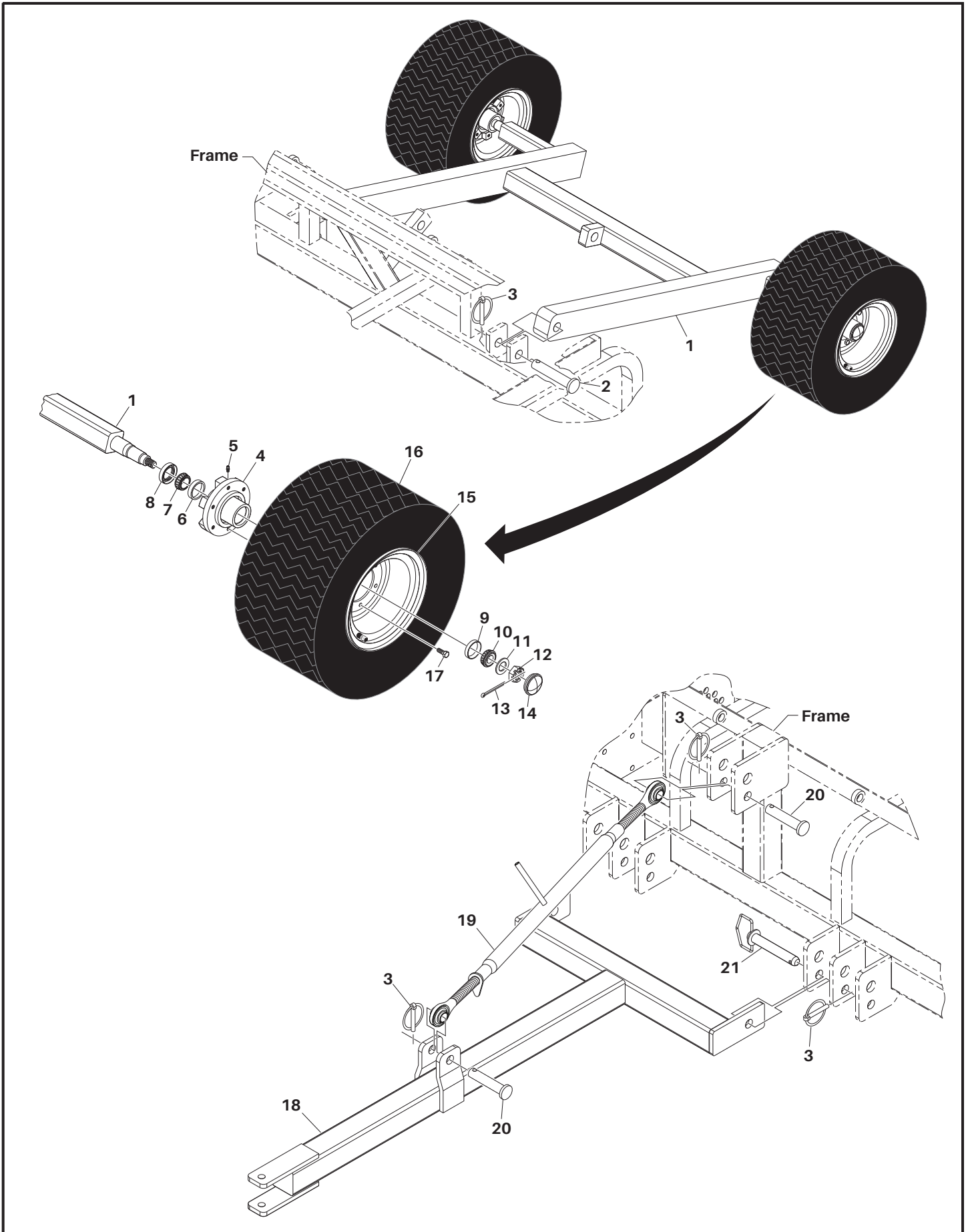
ILLUSTRATED PARTS BREAKDOWN

Figure 3-2. Rotor, Tines and Related Parts

Item	Part No.	Qty	Description
1	226013	1	Rotor Weldment, Model AA-6000
	226014	1	Rotor Weldment, Model AA-7200
	226015	1	Rotor Weldment, Model AA-8400
	226016	1	Rotor Weldment, Model AA-9600
	226017	1	Rotor Weldment, Model AA-10
2	400810	2	Bearing Assembly, 1-1/2", Includes Items 3 & 4
3	GZ316	2	Fitting, Grease
4	SS14X12	4	Setscrew
5	FW12	8	Washer, Flat, 1/2"
6	HB12X134	8	Bolt, Hex Head, 1/2"-13UNC x 1-3/4" Long
7	LN12	8	Nut, Hex, Nylon Lock, 1/2"-13UNC
8	2260046	AR	Tine, Sports, 3/8" Thick
9	2260047	AR	Tine, Fine, 1/4" Thick
10	226018	AR	Ring, Split
11	HB12X2	AR	Bolt, Hex Head, 1/2"-13UNC x 2" Long
12	226019	AR	Plate, Split, Coring Tines
13	HB12X112	AR	Bolt, Hex Head, 1/2"-13UNC x 1-1/2" Long
14	220126	AR	Tine, Coring, 1"
15	220144	AR	Plate, Washer
16	HB38X134	AR	Bolt, Hex Head, 3/8"-16UNC x 1-3/4" Long
			AR-As Required

ILLUSTRATED PARTS BREAKDOWN

Figure 3-3. Optional Wheel Kit, Drawbar and Related Parts



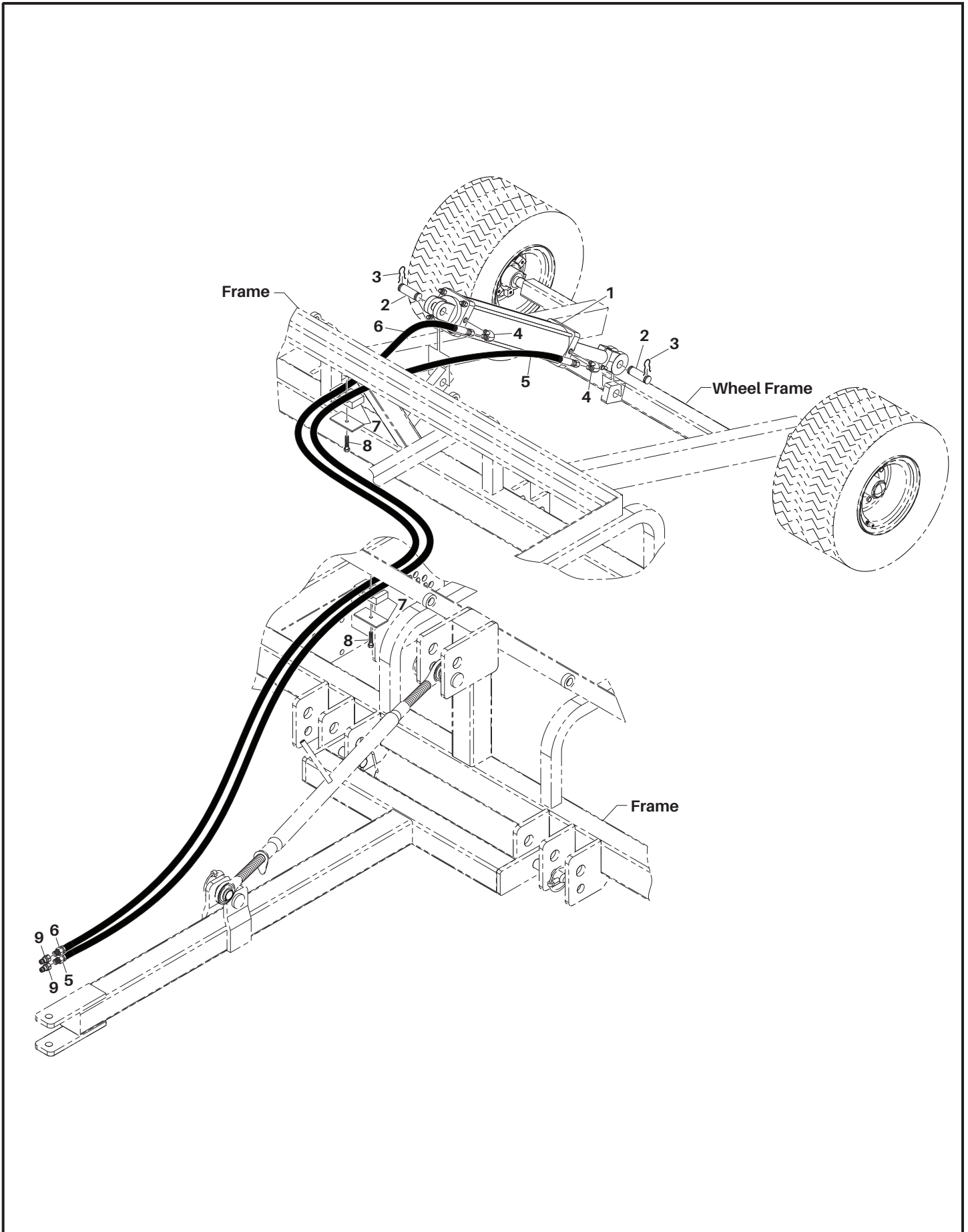
ILLUSTRATED PARTS BREAKDOWN

Figure 3-3. Optional Wheel Kit, Drawbar and Related Parts

Item	Part No.	Qty	Description
1	226020	1	Frame, Wheel
2	FP34 X5	2	Pin, 3/4" Dia. x 5" Long
3	LP516	AR	Pin, Lynch, 5/16" Dia.
4	226060	2	Hub Assembly, Includes Item 5
5	GZ316	2	Fitting, Grease, 3/16" Dia.
6	226061	2	Race, Inner Bearing
7	226062	2	Bearing, Inner
8	226063	2	Seal, Grease
9	226064	2	Race, Outer Bearing
10	226065	2	Bearing, Outer
11	226066	2	Washer, Flat
12	226067	2	Nut, Castle
13	CP316	2	Pin, Cotter, 3/16 Dia.
14	226068	2	Cap
15	WH6B-12X10.5	2	Wheel Assembly
16	TT26.5X14-12	2	Tire, 26.5 x 14-12
17	LB12X115	12	Bolt, Lug, Hex Head, 1/2"-20UNF x 1-1/2" Long
18	226025	1	Drawbar
19	226026	1	Link, Adjustable
20	AP34X512	1	Pin, 3/4" Dia. x 5-1/2" Long
21	AP78X514	2	Pin, 7/8" Dia. x 5-1/4" Long
			AR-As Required

ILLUSTRATED PARTS BREAKDOWN

Figure 3-4. Hydraulics Optional Wheel Kit and Related Parts



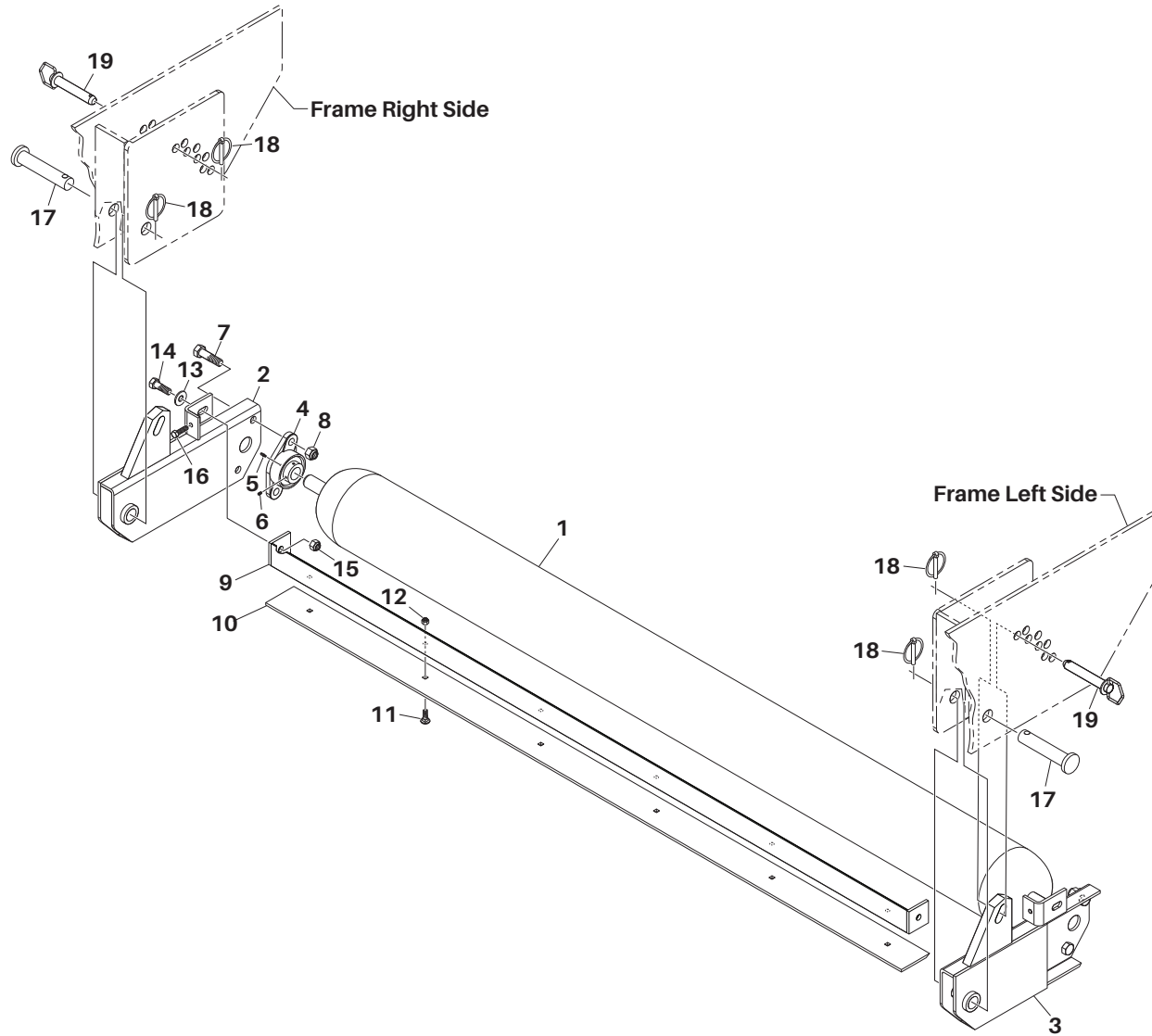
ILLUSTRATED PARTS BREAKDOWN

Figure 3-4. Hydraulics Optional Wheel Kit and Related Parts

Item	Part No.	Qty	Description
1	226030	1	Cylinder Assembly, 2" x Bore x 6" Stroke, Includes Items 2 & 3
2	CYP1X314	2	Pin, Cylinder, 1" Dia. x 3-1/4" Long
3	CHP18	4	Pin, Cotter, 1/8" Dia.
4	226031	2	Fitting, Elbow, 90°
5	226032	1	Hose Assembly, 144" Long
6	226033	1	Hose Assembly, 154" Long
7	226034	2	Clamp, Hose
8	HB14X112	2	Bolt, Hex Head, 1/4"-20UNC x 1-1/2" Long
9	226035	2	Fitting, Quick Disconnect, Male

ILLUSTRATED PARTS BREAKDOWN

Figure 3-5. Optional Roller and Related Parts



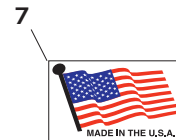
ILLUSTRATED PARTS BREAKDOWN

Figure 3-5. Optional Roller and Related Parts

Item	Part No.	Qty	Description
1	226040	1	Roller, Model AA-6000
	226041	1	Roller, Model AA-7200
	226042	1	Roller, Model AA-8400
	226043	1	Roller, Model AA-9600
2	226045	1	Bracket, Roller Adjuster, Right Side
3	226046	1	Bracket, Roller Adjuster, Left Side
4	226047	2	Bearing, 1" Dia., Includes Items 5 & 6
5	GZ316	2	Fitting, Grease, 3/16" Dia.
6	SS14X14	4	Screw, Set, 1/4"-28UNF x 1/4" Long
7	HB12X134	4	Bolt, Hex Head, 1/2"-13UNC x 1-3/4" Long
8	LN12	4	Nut, Hex, Nylon Lock, 1/2"-13UNC
9	226050	1	Support, Scrapper, Model AA-6000
	226051	1	Support, Scrapper, Model AA-7200
	226052	1	Support, Scrapper, Model AA-8400
	226053	1	Support, Scrapper, Model AA-9600
10	226055	1	Scrapper, UHMW, Model AA-6000
	226056	1	Scrapper, UHMW, Model AA-7200
	226057	1	Scrapper, UHMW, Model AA-8400
	226058	1	Scrapper, UHMW, Model AA-9600
11	CB516X1	AR	Bolt, Carriage, 5/16"-18UNC x 1" Long
12	LN516	AR	Nut, Hex, Nylon Lock, 5/16"-18UNC
13	FW38	2	Washer, Flat, 3/8"
14	HB38X1	2	Bolt, Hex Head, 3/8"-16UNC x 1" Long
15	LN38	2	Nut, Hex, Nylon Lock, 3/8"-16UNC
16	HB38X2	2	Bolt, Hex Head, 3/8"-16UNC x 2" Long
17	FP1X412	2	Pin, 1" Dia. x 4-1/2" Long
18	LP516	4	Pin, Lynch, 5/16" Dia.
19	AP58X412	2	Pin, 5/8" Dia. x 4-1/2" Long
			AR-As Required

ILLUSTRATED PARTS BREAKDOWN

Figure 3-6. Decals



ILLUSTRATED PARTS BREAKDOWN

Figure 3-6. Decals

Item	Part No.	Qty	Description
1	226060	1	Decal, Logo, TurfTime Equipment
2	226061	1	Decal, Attention, Turning With Tines
3	226062	1	Decal, Attention, Re-Torque Tine Bolts
4	226063	2	Decal Danger, Rotating Blade Hazard
5	226064	1	Decal, Warning, High Pressure Fluid
6	226065	2	Decal, Warning, Check Lug Bolts
7	226066	1	Decal, Made in USA
8	226067	2	Decal, Model AA-6000
	226068	2	Decal, Model AA-7200
	226069	2	Decal, Model AA-8400
	226070	2	Decal, Model AA-9600
	226071	2	Decal, Model AA-10
9	226072	1	Plate, Serial Number

*TurfTime Equipment, LLC
800 N. Railroad Avenue
New Holland PA 17557
Phone (800) 201-1031*

Copyright 2022